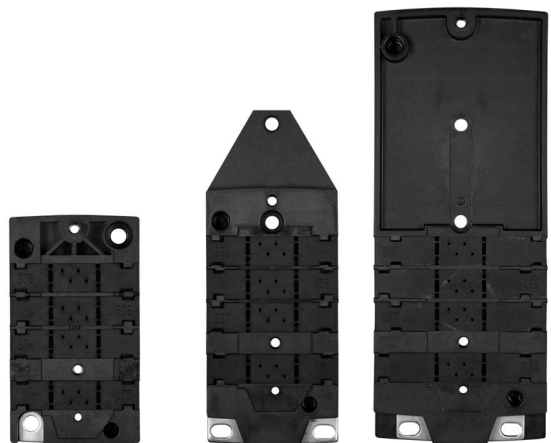


## ASi Substructure Module in IP67

- suitable for mounting on symmetrical DIN profile rail 35 mm, or for wall-mounting
- fixing centres CNOMO compliant

Protection category IP67



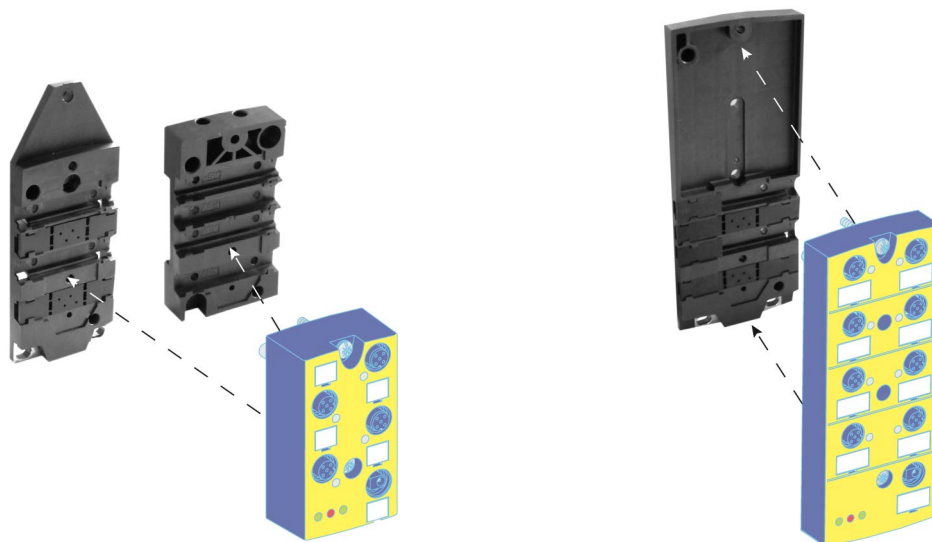
(figure similar)

|                            |  |
|----------------------------|--|
| <b>Article no. BWU2349</b> | <b>ASi Substructure Module for 4-channel module in 45 mm-housing</b>         |
| <b>Article no. BWU2350</b> | <b>ASi Substructure Module (CNOMO) for 4-channel module in 45 mm-housing</b> |
| <b>Article no. BWU2351</b> | <b>ASi Substructure Module (CNOMO) for 8-channel module in 60 mm-housing</b> |
| <b>Article no. BWU3516</b> | <b>ASi Substructure Module (CNOMO) for 8-channel module in 60 mm-housing</b> |

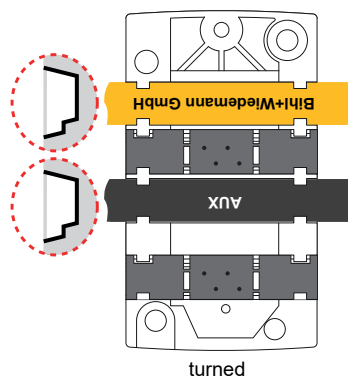
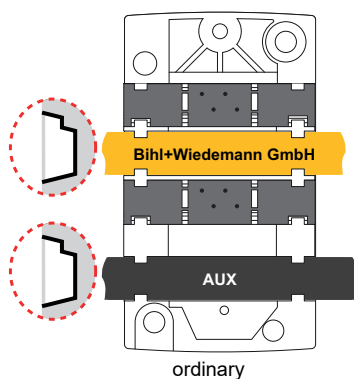
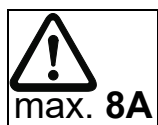
ASi substructure modules are a necessary accessory for ASi modules of the product family M12 modules in IP67.

| Article no.                            | BWU2349  | BWU2350                                  | BWU2351       | BWU3516       |
|--|--|--|---------------|---------------|
| Cable                                  | max. 2 yellow ASi flat cables (ASi) and 2 black ASi flat cables (AUX) simultaneously connectable to the formation of junctions<br>mounting is possible in two directions |  |               |               |
| Screw mounting                         | 2-point  | 4-point<br>(centerline spacing<br>CNOMO) |               |               |
| Mounting on symmetrical DIN rail 35 mm | yes  | no                                       |               | yes           |
| Connection                             | cut clamp terminals (IDC method)   |  |               |               |
| Ambient operating temperature          | -30 ... +70 °C   |  |               |               |
| Storage temperature                    | -30 ... +85 °C   |  |               |               |
| Protection category                    | IP67   |  |               |               |
| Dimensions (W / H / D in mm)           | 45 / 81 / 15   | 45 / 117 / 10                            | 60 / 152 / 11 | 60 / 152 / 15 |
| Weight                                 | 45 g   | 40 g                                     | 66 g          | 69 g          |

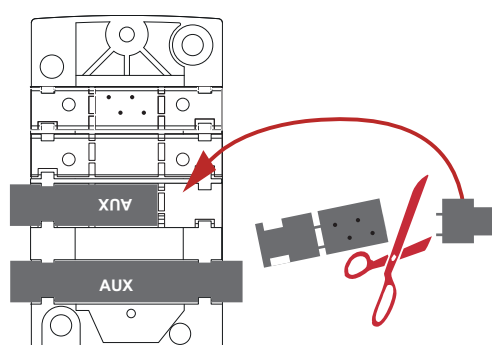
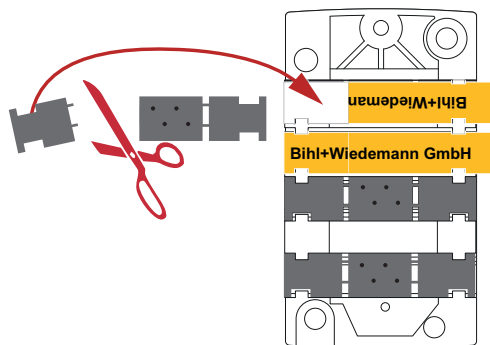
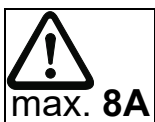
Substructure modules and appropriate modules:



Mounting according to cable direction

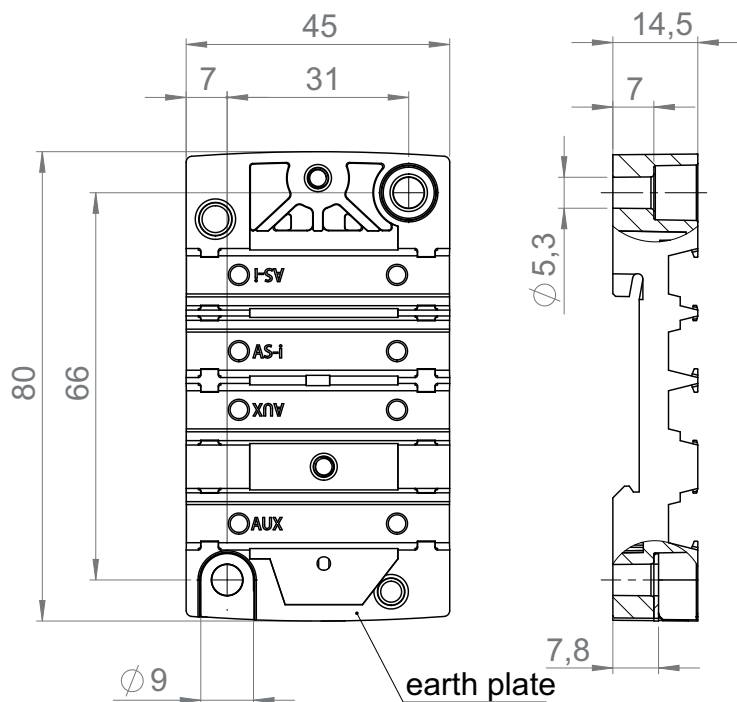


Line termination with sealing profiles / junction

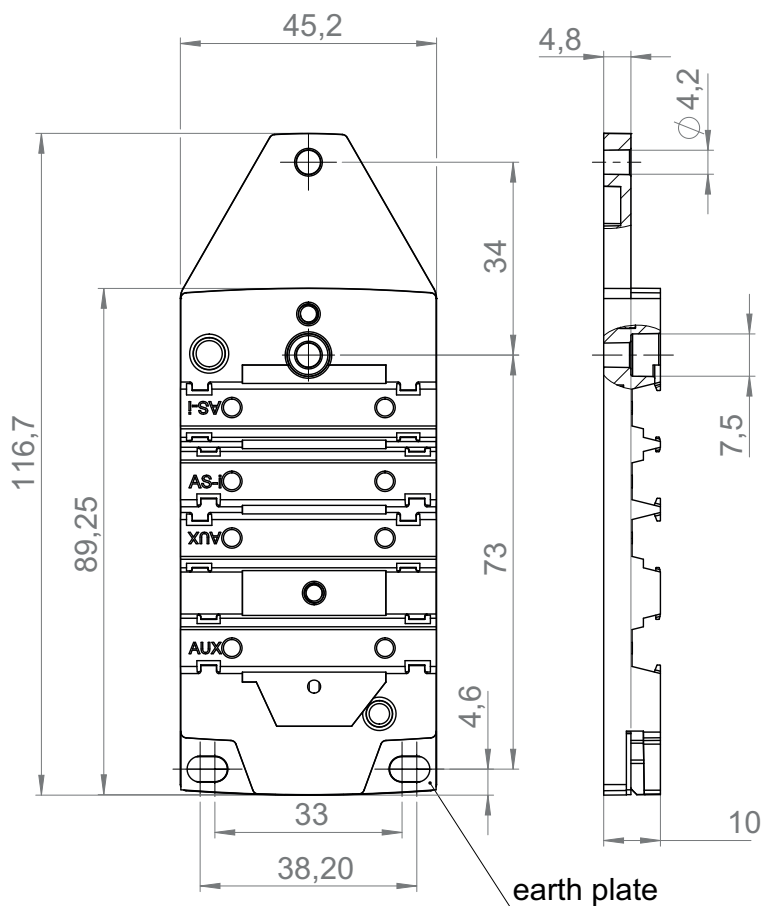


## Dimensions:

- 4-channel module (BWU2349)

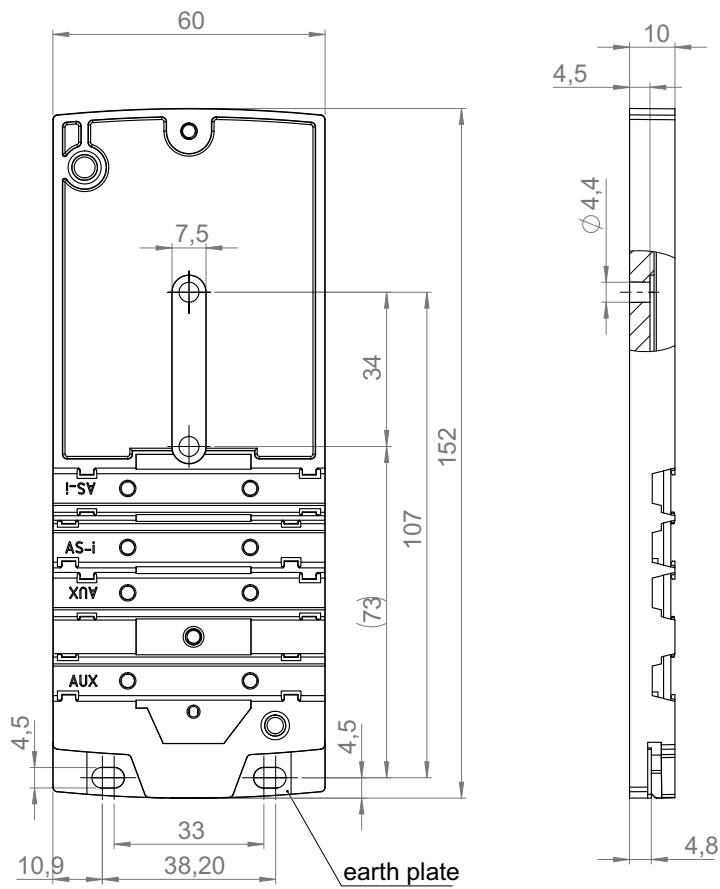


- 4-channel module (BWU2350)



# ASi Substructure Module in IP67

- 8-channel module (BWU2351)



- 8-channel module (BWU3516)

