

Simple assembly concept



- by screw-mounting
- geared to 40 mm profile rail
- with a powerful magnet for variable applications

2-colored lighted (red/green)



(figure similar)



Figure	Switches/Buttons	Lighted	Mounting method	Article No.
	E-STOP button module	red/green	2 holes for screw mounting	BW2773
	E-STOP button module	red/green	retaining clip	BW2529
	E-STOP button module	red/green	magnet	BW2709
	E-STOP button module	no	retaining clip	BW2585
	light button module	red/green	2 holes for screw mounting	BW3159
	light button module	red/green	retaining clip	BW2528
	light button module	red/green	magnet	BW2708
	light button module	white/blue	2 holes for screw mounting	BW3474

Article no.	BW2709	BW2773	BW2529	BW2585
General data				
Device type	Safety E-STOP button module ASi			
Connection				
Connections	M12			
ASi				
Profile	S-7.B.0, ID1=F			
Address	1 single address			
Required Master Profile	≥M3			
Since ASi specification	2.1			
Operating voltage	18 ... 31,6 V			
Max. current consumption	<50 mA			
Display				
LED (green)	see table "BW2529 / BW2709 / BW2773 operating options"			–
LED (red)	see table "BW2529 / BW2709 / BW2773 operating options"			–
Robustness				
Robustness	–			
Shock resistance	–	acc. EN 60068-2-27		
Vibration resistance	–	acc. EN 60068-2-6		
Environmental stability	acc. EN 60068-2			
UL-specifications (UL508)				
External protection	An isolated PELV/SELV voltage source of ≤30 V _{DC} has to be protected by a 3 A maximum over current protection. Over current protection is not required when a Class 2 source is employed.			
In general	UL mark does not provide UL certification for any functional safety rating or aspects of the above devices.			
Environment				
Applied standards	EN ISO 13849-1 PLe Kat 4 EN ISO 13849-2 EN 62061 SIL 3 EN ISO 13850 EN ISO 60947-5-1 EN ISO 60947-5-5 EN 61000-6-2 EN 61000-6-4 EN 60529 EN 62026-2			
Operating altitude	max. 2000 m			
Ambient temperature	0 °C ... +70 °C			
Storage temperature	-25 °C ... +85 °C			
Pollution degree	2			
Protection category	IP54 (in unlocked state)			
Installation depth	–			
Mounting method	magnet	rail mounting or screws	retaining clip	
Contacts	gold contacts, for 100% reliable switching			
Contact assignment	2 normally closed			
Shock resistance min.	100 N			
Mushroom diameter	30 mm			
Life cycle min. (switching cycle)	50.000			
Dimensions (W / H / D in mm)	123 / 42 / 66		123 / 42 / 62	

Article no.	BW3159	BW2528	BW2708	BW3474
General data				
Device type	ASi pushbutton module			
Connection				
Connections	M12			
ASi				
Profile	S-7.A.7, ID1=7 (fixed)			
Address	1 AB address			
Required Master Profile	≥M4			
Since ASi specification	3.0			
Operating voltage	18 ... 31,6 V			
Max. current consumption	< 80 mA			
Display				
LED (green)	D0 / D2		-	
LED (red)	D1 / D3		-	
LED (white)	-		DO2	
LED (blue)	-		DO0	
Robustness				
Robustness	-			
Shock resistance	acc. EN 60068-2-27		-	
Vibration resistance	acc. EN 60068-2-6		-	
Environmental stability	acc. EN 60068-2			
UL-specifications (UL508)				
External protection	An isolated PELV/SELV voltage source of ≤30 V _{DC} has to be protected by a 3 A maximum over current protection. Over current protection is not required when a Class 2 source is employed.			
In general	UL mark does not provide UL certification for any functional safety rating or aspects of the above devices.			
Environment				
Applied standards	EN 61 000-6-2 EN 61 000-6-4 EN 62026-2 EN 60529			
Operating altitude	max. 2000 m			
Ambient temperature	0 °C ... +70 °C			
Storage temperature	-25 °C ... +85 °C			
Protection category (EN 60529)	IP54			
Installation depth	-			
Mounting method	rail mounting or screws	retaining clip	magnet	rail mounting or screws
Contacts	gold contacts, for 100% reliable switching			
Contact assignment	normally opened contact, per button 1 normally opened contact			
Shock resistance min.	100 N			
Mushroom diameter	-			
Life cycle min. (switching cycle)	1.000.000			
Dimensions (W / H / D in mm)	123 / 42 / 38		123 / 42 / 42	

BW2529 / BW2709 / BW2773 operating options

	Parameter bit		LED display			
	P1	P0	green	red	yellow	yellow flashing (1 Hz)
Operation by switch	1 ⁽¹⁾	1 ⁽¹⁾	unlocked	operated	-	no ASi communication
	0	1	operated	unlocked		
Operation via ASi	x	0	DO1	DO0	DO0 + DO1	no ASi communication

(1) default

BW2528, BW2708, BW3159:

		DO3	DO2	DO1	DO0	DI1	DI0
Button above		red	green	-	-	•	-
Button below		-	-	red	green	-	•

BW3474:

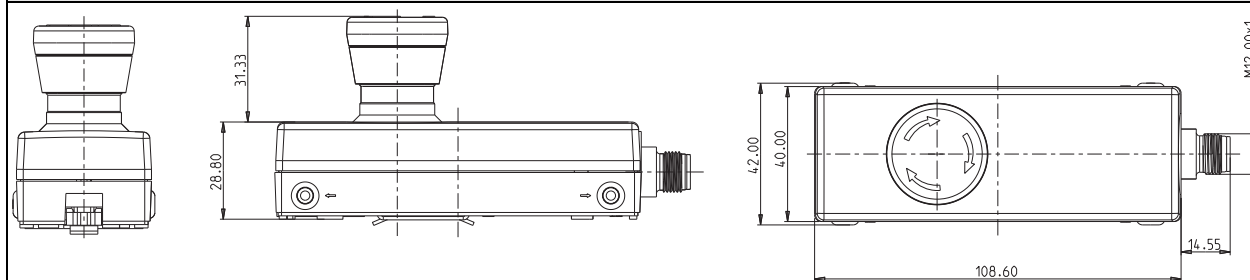
		DO3	DO2	DO1	DO0	DI1	DI0
Button above		-	white	-	-	•	-
Button below		-	-	-	blue	-	•

Pin assignment

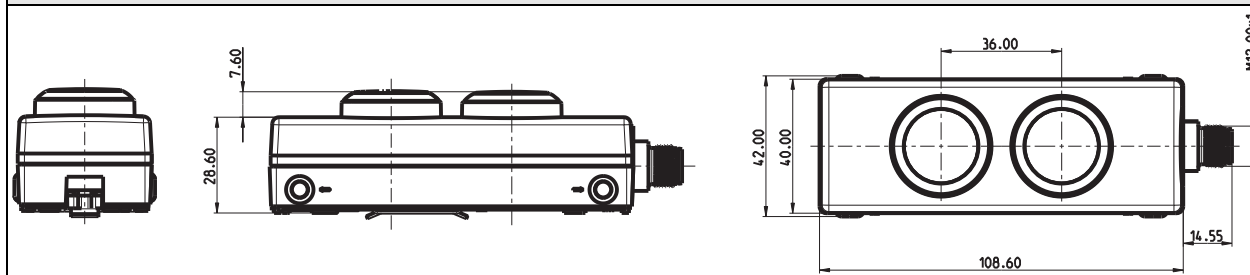
Connections					
Article no.	Pin1	Pin2	Pin3	Pin4	
BW2528, BW2529, BW2585, BW2708, BW2709, BW2773, BW3159, BW3474	ASi+	n.c.	ASi-	n.c.	

Dimensions:

BW2529, BW2585, BW2709, BW2773

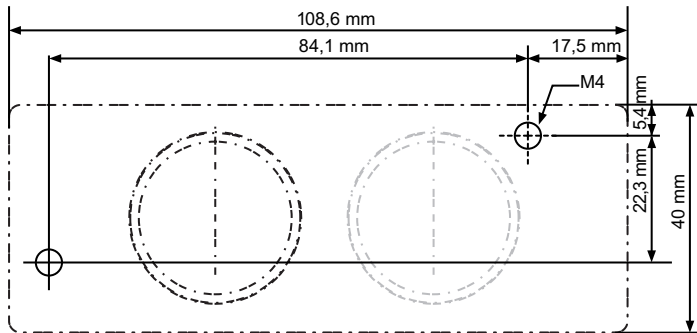


BW2528, BW2708, BW3159



Drilling pattern for direct mounting via screws

BW2773, BW3159, BW3474



As an alternative to the metal clip mounting, the substructure part of the housing can also be screwed on directly. Recommendation: M4 screws (mounting hole diameter: 4.6 mm).

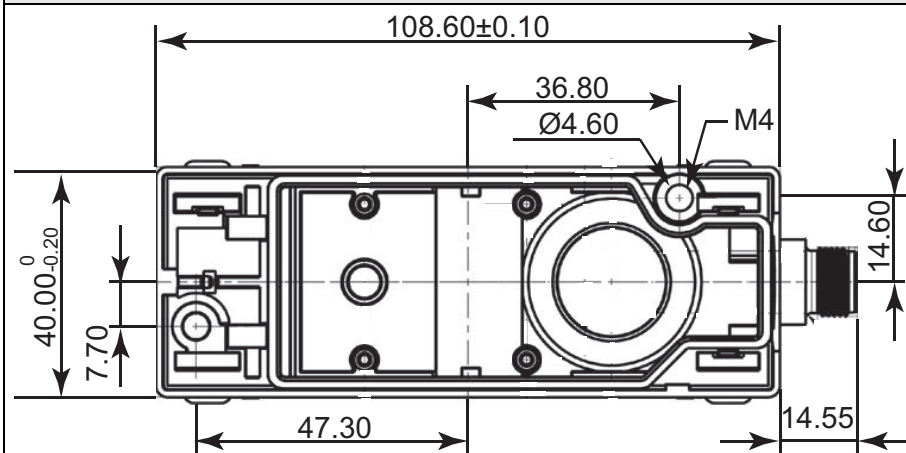
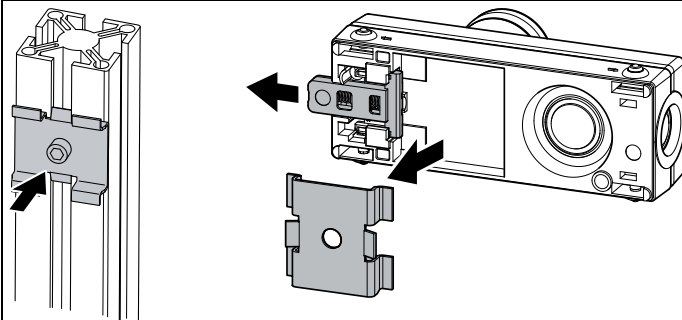


Image for rail mounting:

BW2528, BW2529, BW2585, BW2773, BW3159 and BW3474
(BW2529 and BW2585: Mounting only about retaining clip!)



Accessories:

- Passive Distributor ASi, housing depth 30 mm, IP67, connection for 1 x ASi profile cable to 1 x M12 socket, 5 poles (art. no. BWU1239)
- Passive Distributor ASi/AUX, housing depth 28 mm, IP67, connections for 1 x ASi and 1 x AUX profile cables to 1 x M12 socket, 5 poles (article no. BW3803)
- ASi-5/ASi-3 Address Programming Device (art. no. BW4925)