


Cost efficient solution in IP20



(Figure similar)

Figure	Type	Primary application ⁽¹⁾	Inputs digital	Outputs digital	Input voltage (sensor supply) ⁽²⁾	Output voltage (actuator supply) ⁽³⁾	ASi connection ⁽⁴⁾	ASi address ⁽⁵⁾	Article No.
	IP20, 22,5 mm x 50 mm, 4 x 4 contacts	decentralized control cabinet	4	4 x electronic	out of ASi	out of ASi	Push-in terminals	1 AB address	BWU2783
	IP20, 22,5 mm x 50 mm, 4 x 4 contacts	decentralized control cabinet	4	4 x electronic	out of ASi	out of ASi	Push-in terminals	1 single address	BWU3272
	IP20, 22,5 mm x 50 mm, 4 x 4 contacts	decentralized control cabinet	4	–	out of ASi	–	Push-in terminals	1 AB address (S-0.A.7.0)	BWU3747
	IP20, 22,5 mm x 92 mm 4 x 4 contacts	control cabinet	4	4 x electronic	out of AUX	out of AUX	Push-in terminals	1 AB address	BWU3559
	IP20, 22,5 mm x 92 mm 4 x 4 contacts	control cabinet	4	4 x electronic	out of AUX	out of AUX	Push-in terminals	1 AB address	BWU3842
	IP20, 22,5 mm x 92 mm 4 x 4 contacts	control cabinet	4	3 x electronic	out of AUX	out of AUX	Push-in terminals	1 AB address	BWU3733
	IP20, 22,5 mm x 114 mm, 4 x 4 contacts	control cabinet	4	4 x electronic	out of AUX	out of AUX	Push-in terminals	1 AB address	BWU1938
	IP20, 22,5 mm x 114 mm, 4 x 4 contacts	control cabinet	4	4 x electronic	out of AUX	out of AUX	Push-in terminals	1 single address	BWU2759
	IP20, 22,5 mm x 114 mm, 4 x 4 contacts	decentralized control cabinet	4	–	out of ASi	–	Push-in terminals	1 AB address	BWU3265
	IP20, 22,5 mm x 114 mm, 4 x 4 contacts	decentralized control cabinet	4	–	out of AUX	–	Push-in terminals	1 AB address	BWU3266

Figure	Type	Primary application ⁽¹⁾	Inputs digital	Outputs digital	Input voltage (sensor supply) ⁽²⁾	Output voltage (actuator supply) ⁽³⁾	ASi connection ⁽⁴⁾	ASi address ⁽⁵⁾	Article No.
	IP20, 22,5 mm x 114 mm, 6 x 4 contacts	control cabinet	4	3 x relay	out of ASi	–	Push-in terminals	1 AB address	BWU3878
	IP20, 22,5 mm x 114 mm, 6 x 4 contacts	control cabinet	4	4 x relay	out of ASi	–	Push-in terminals	1 single address	BWU3435
	IP20, 22,5 mm x 114 mm, 6 x 4 contacts	control cabinet	4	4 x relay	out of ASi	–	Push-in terminals	1 single address (S-7.0.F.E)	BWU3658
	IP20, 22,5 mm x 114 mm, 6 x 4 contacts	control cabinet	4	4 x relay	out of ASi	–	Push-in terminals	1 AB address	BWU3549
	IP20, 22,5 mm x 114 mm, 6 x 4 contacts	control cabinet	8	8 x electronic	out of ASi	out of AUX	Push-in terminals	2 AB addresses	BWU3364
	IP20, 22,5 mm x 114 mm, 6 x 4 contacts	control cabinet	8	8 x electronic	out of AUX	out of AUX	Push-in terminals	2 AB addresses	BWU2490
	IP20, 22,5 mm x 114 mm, 6 x 4 contacts	control cabinet	8	8 x electronic	out of AUX	out of AUX	Push-in terminals	2 single addresses	BWU2800
	IP20, 22,5 mm x 114 mm, 6 x 4 contacts	control cabinet	8 (NPN)	8 x electronic (NPN)	out of AUX	out of AUX	Push-in terminals	2 AB addresses	BWU3359
	IP20, 22,5 mm x 114 mm, 6 x 4 contacts	decentralized control cabinet	4	4 x electronic	out of ASi	out of AUX	Push-in terminals	1 AB address	BWU3267
	IP20, 22,5 mm x 114 mm, 6 x 4 contacts	decentralized control cabinet	4	4 x electronic	out of AUX	out of AUX	Push-in terminals	1 AB address	BWU3268
	IP20, 22,5 mm x 114 mm, 6 x 4 contacts	decentralized control cabinet	4	4 x electronic	out of ASi	out of AUX	Push-in terminals	1 single address	BWU3754

(1) Primary Application

Control cabinet: Cost-optimized modules whereby the supply voltage for the sensors and actuators is connected via additional patch terminals. Optimal application in the main control cabinet.

Decentralized control cabinet: Ideal for use in decentralized control cabinets. 3-wire sensors or actuators can be connected directly to terminals in the module without additional patch terminals or the module has an extremely flat design.

(2) Input voltage (sensor supply): inputs are supplied by ASi or by AUX (auxiliary 24 V power). If supplied by ASi, inputs shall not be connected to earth or to external potential.

(3) Output voltage (actuator supply): outputs are supplied by ASi or by AUX (auxiliary 24 V power). If supplied by ASi, outputs shall not be connected to earth or to external potential

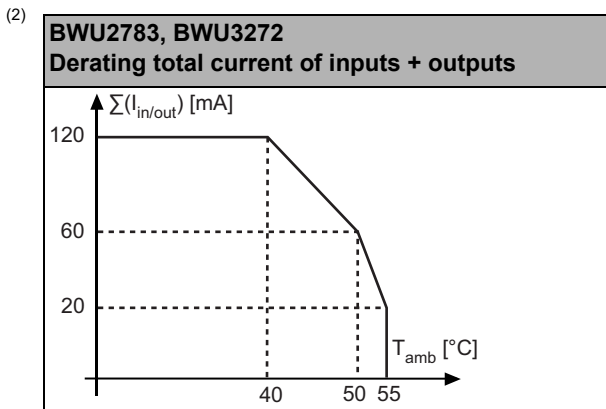
(4) ASi connection: the connection to ASi as well to AUX (auxiliary 24 V power) is made via yellow resp. black ASi profile cable with piercing technology or via M12 socket (in IP20 via clamps).

(5) ASi address: 1 AB address (max. 62 AB addresses/ASi network), 2 AB addresses (max. 31 modules with 2 AB addresses), Single addresses (max. 31 Single addresses/ASi network), mixed use allowed. For modules with two ASi nodes the 2nd ASi node is turned off as long as the 1st ASi node is addressed to address "0". Upon request, ASi nodes are available with specific ASi node profiles.

Article no.	BWU3272		BWU2783	BWU3747
General data				
Device type	input / output			input
Connection				
ASi / AUX connection	Push-in terminals			
Periphery connection	Push-in terminals			
Primary application	decentralized control cabinet			
Length of connector cable	I/O: max. 15 m ⁽¹⁾			
ASi				
Profile	S-7.0.E, ID1=F (default)	S-7.A.7, ID1=7 (fixed)	S-0.A.0, ID1=7 (default)	
Address	1 single address	1 AB address		
Required Master profile	≥M0	≥M4	≥M3	
Since ASi specification	2	3.0	2.1	
Operating voltage	30 V (18 ... 31.6 V)			
Max. current consumption	165 mA			
Max. current consumption without sensor/ actuator supply	45 mA			
Input				
Number	4			
Power supply	out of ASi			
Sensor supply	short-circuit and overload protected according to EN 61131-2			
Power supply of attached sensors	up to +40 °C	120 mA, \sum (In/Out) 120 mA ⁽²⁾		120 mA, \sum (In) 120 mA ⁽⁵⁾
	at +55 °C	20 mA, \sum (In/Out) 20 mA ⁽²⁾		20 mA, \sum (In) 20 mA ⁽⁵⁾
Switching threshold	U<5 V (low) U>15 V (high)			
Output				
Number	4 x electronic			–
Power supply	out of ASi			–
Actuator supply	short-circuit and overload protected according to EN 61131			–
Max. output current	up to +40 °C	120 mA per output, \sum (In/Out) 120 mA ⁽²⁾		–
	at +55 °C	20 mA, \sum (In/Out) 20 mA ⁽²⁾		–
Display				
LED ASi (green)	on: ASi voltage on, flashing: ASi voltage on, but peripheral fault ⁽³⁾ or address 0 off: no ASi Voltage			
LED FLT/FAULT (red)	on: address 0 or offline flashing: peripheral fault ⁽³⁾ off: online			
LEDs I1 ... In (yellow)	state of inputs I1 ... I4			
LEDs O1 ... On (yellow)	state of outputs O1 ... O4			–

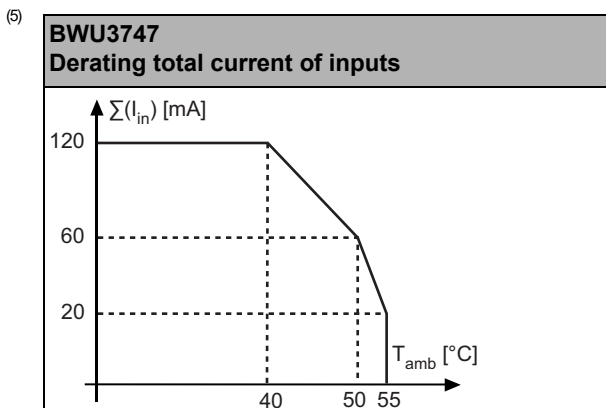
Article no.	BWU3272	BWU2783	BWU3747
Environment			
Applied standards	EN 61000-6-2 EN 61000-6-3 EN 61131 EN 60529		
It can be used with a switched AUX cable, which is passively safe up to SIL3/PLe	yes ⁽⁴⁾		
Operating altitude	max. 2000 m		
Ambient temperature	-25 °C ... +40 °C (up to max. +55 °C) ⁽²⁾ no condensation permitted		
Storage temperature	-25 °C ... +85 °C		
Housing	plastic, for DIN rail mounting		
Pollution Degree	2		
Protection category	IP20		
Tolerable loading referring to humidity	according to EN 61131-2		
Voltage of insulation	≥500 V		
Weight	65 g		
Dimensions (W / H / D in mm)	22,5 / 99 / 50,5		

(1) Loop resistance ≤150 Ω



(3) see table „Peripheral fault indication“

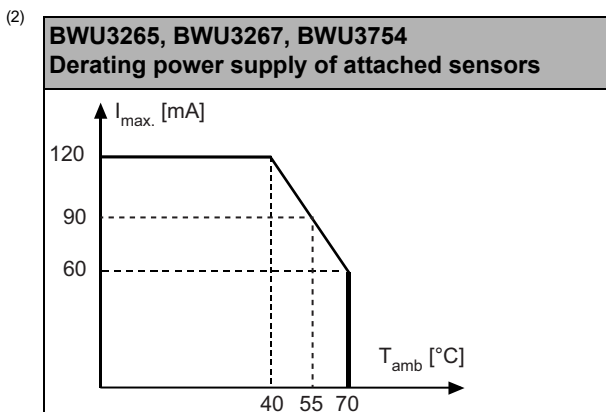
(4) The module is suitable for use in passively safe paths as it has no connection to an AUX potential.



Article no.	BWU3265	BWU3266	BWU3268	BWU3267	BWU3754
General data					
Device type	input		input / output		
Connection					
ASi / AUX Connection	Push-in terminals				
Periphery connection	Push-in terminals				
Primary application	decentralized control cabinet				
Length of connector cable	I/O: unlimited ⁽¹⁾				
ASi					
Profile	S-7.A.E, ID1=7 (default)		S-7.A.7, ID1=7 (fixed)		S-7.0.E, ID1=F (default)
Address	1 AB address				1 single address
Required Master profile	≥M3		≥M4		≥M0
Since ASi specification	2.1		3.0		2
Operating voltage	30 V (18 ... 31.6 V)				
Max. current consumption	165 mA	35 mA		165 mA	
Max. current consumption without sensor/ actuator supply	45 mA	35 mA		45 mA	
AUX					
Voltage	–	24 V (18 ... 30 V)			
Max. current consumption	–	1,2 A	4,2 A	3 A	
Input					
Number	4				
Power supply	out of ASi	out of AUX		out of ASi	
Sensor supply	short-circuit and overload protected according to EN 61131-2				
power supply of attached sensors	up to +40 °C	120 mA ⁽²⁾	1200 mA permanent operation ⁽⁶⁾		120 mA ⁽²⁾
	at +55 °C	90 mA ⁽²⁾	900 mA permanent operation ⁽⁶⁾		90 mA ⁽²⁾
	at +70 °C	60 mA ⁽²⁾	600 mA permanent operation ⁽⁶⁾		60 mA ⁽²⁾
Switching threshold	U < 5 V (low) U > 15 V (high)				
Output					
Number	–		4 x electronic		
Power supply	–		out of AUX		
Actuator supply	short-circuit and overload protected according to EN 61131-2				
Max. output current	up to +50 °C	–		1 A per output, \sum (Out) 3,0 A ⁽⁸⁾	
	at +55 °C	–		1 A per output, \sum (Out) 2,5 A ⁽⁸⁾	
	at +70 °C	–		1 A per output, \sum (Out) 1,0 A ⁽⁸⁾	
Display					
LED ASi (green)	on: ASi voltage on, flashing: ASi voltage on, but peripheral fault ⁽³⁾ or address 0 off: no ASi Voltage				
LED FLT/FAULT (red)	on: address 0 or offline flashing: peripheral fault ⁽³⁾ off: online				
LEDs I1 ... I4 (yellow)	state of inputs I1 ... I4				
LEDs O1 ... O4 (yellow)	–		state of outputs O1 ... O4		
LED AUX (green)	–		on: 24 V _{DC} AUX off: no 24 V _{DC} AUX		

Article no.	BWU3265	BWU3266	BWU3268	BWU3267	BWU3754
Environment					
Applied standards	EN 61000-6-2 EN 61000-6-3 EN 61131 EN 60529				
It can be used with a switched AUX cable, which is passively safe up to SIL3/PLe	yes ⁽⁴⁾	yes ⁽⁷⁾	yes ⁽⁹⁾	yes ⁽¹⁰⁾	yes ⁽¹¹⁾
Operating altitude	max. 2000 m				
Ambient temperature	-25 °C ... +55 °C (up to max. +70 °C) ^{(2) (5)}	-25 °C ... +55 °C (up to max. +70 °C) ^{(5) (6) (8)}		-25 °C ... +55 °C (up to max. +70 °C) ^{(2) (5) (8)}	
	no condensation permitted				
Storage temperature	-25 °C ... +85 °C ^{(2) (3)}				
Housing	plastic, for DIN rail mounting				
Pollution Degree	2				
Protection category	IP20				
Tolerable loading referring to humidity	according to EN 61131-2				
Voltage of insulation	≥500 V				
Weight	120 g				
Dimensions (W / H / D in mm)	22,5 / 99 / 114				

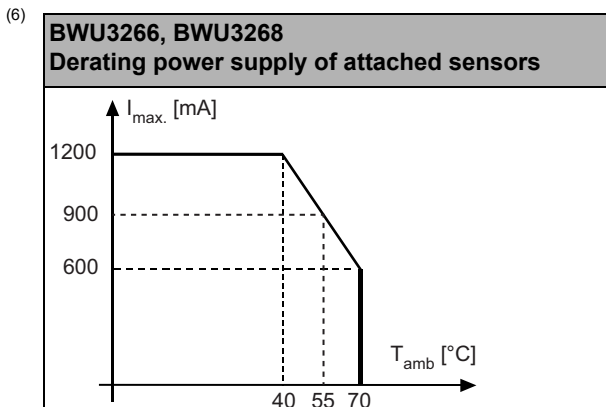
(1) Loop resistance ≤150 Ω



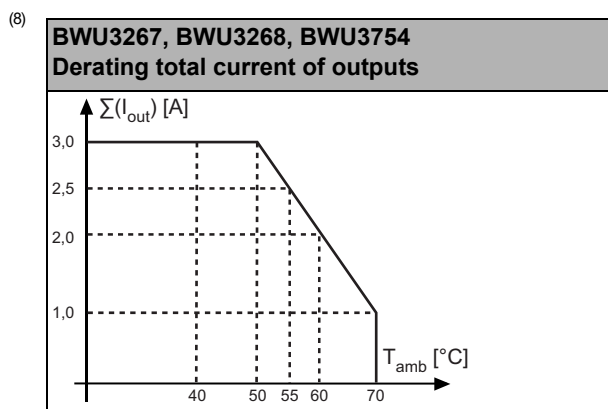
(3) see table „peripheral fault indication“

(4) The module is suitable for use in passively safe paths as it has no connection to an AUX potential.

(5) Maximum ambient operating temperature +55 °C according UL certificate for the use in the USA and Canada.



(7) BWU3266 from Ident. No. 18368; The module is suitable for use in paths with a passively safe-switched AUX cable, since an exclusion of errors can be assumed for the connection of the two ASi and AUX potentials.



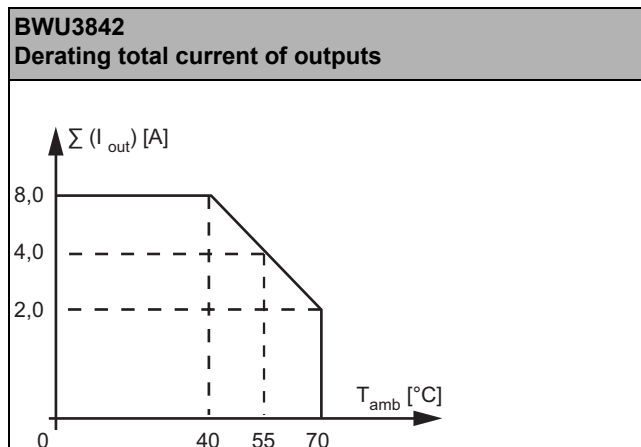
- (9) BWU3266 from Ident. No. 18368; BWU3268 from Ident. No. 17368; BWU3267 from Ident. No. 17051; BWU3754 from Ident. No. 17355; The module is suitable for use in paths with a passively safe-switched AUX cable, since an exclusion of errors can be assumed for the connection of the two ASi and AUX potentials.
- (10) BWU3266 from Ident. No. 18368; BWU3268 from Ident. No. 17368; BWU3267 from Ident. No. 17051; BWU3754 from Ident. No. 17355; The module is suitable for use in paths with a passively safe-switched AUX cable, since an exclusion of errors can be assumed for the connection of the two ASi and AUX potentials.
- (11) BWU3266 from Ident. No. 18368; BWU3268 from Ident. No. 17368; BWU3267 from Ident. No. 17051; BWU3754 from Ident. No. 17355; The module is suitable for use in paths with a passively safe-switched AUX cable, since an exclusion of errors can be assumed for the connection of the two ASi and AUX potentials.

Article no.	BWU3842	BWU1938	BWU3559	BWU3733	BWU2759
General data					
Device type	inputs / output				
Connection					
ASi / AUX Connection	Push-in terminals				
Periphery connection	Push-in terminals				
Primary application	control cabinet				
Length of connector cable	I/O: unlimited ⁽¹⁾				
ASi					
Profile	S-7.A.7, ID1=7 (fixed)		S-7.A.0, ID1=7 (default)	S-7.0.E, ID1=F (default)	
Address	1 AB address				1 single address
Required Master profile	≥M4		≥M3	≥M0	
Since ASi specification	3.0		2.1	2	
Operating voltage	30 V (18 ... 31.6 V)				
Max. current consumption	35 mA				
Max. current consumption without sensor/ actuator supply	35 mA				
AUX					
Voltage	24 V (18 ... 30 V)				
Max. current consumption	8 A	4 A			
Input					
Number	4				
Power supply	out of AUX				
Sensor supply	short-circuit and overload protected according to EN 61131				
power supply of attached sensors	up to +40 °C	< 500 mA	1200 mA permanent operation ⁽⁶⁾		
	at +55 °C		900 mA permanent operation ⁽⁶⁾		
	at +70 °C		600 mA permanent operation ⁽⁶⁾		
Switching threshold	U<5 V (low) U>15 V (high)				

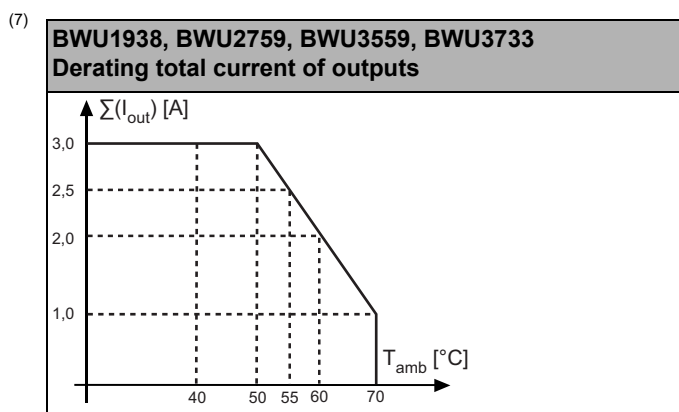
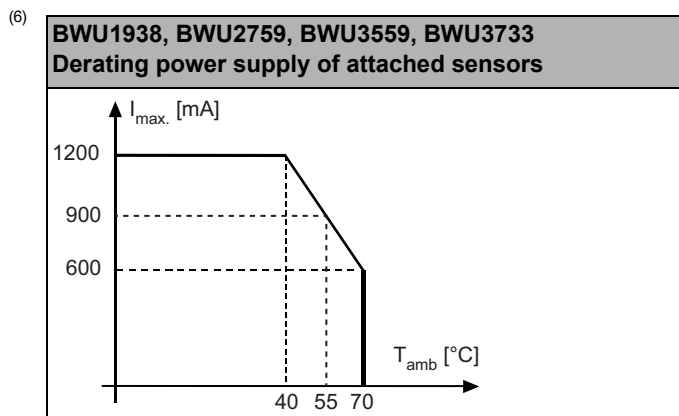
Article no.	BWU3842	BWU1938	BWU3559	BWU3733	BWU2759
Output					
Number	4 x electronic			3 x electronic	4 x electronic
Power supply	out of AUX				
Actuator supply	short-circuit and overload protected according to EN 61131				
Max. output current	up to +40 °C	2 A per output, Σ (In/Out) 8 A ⁽²⁾	1 A per output, Σ (Out) 3,0 A ⁽⁷⁾		
	at +55 °C	2 A per output, Σ (In/Out) 4 A ⁽²⁾	1 A per output, Σ (Out) 2,5 A ⁽⁷⁾		
	at +70 °C	2 A per output, Σ (In/Out) 2 A ⁽²⁾	1 A per output, Σ (Out) 1,0 A ⁽⁷⁾		
Display					
LED ASI (green)	on: ASi voltage on, flashing: ASi voltage on, but peripheral fault ⁽³⁾ or address 0 off: no ASi Voltage				
LED FLT/FAULT (red)	on: address 0 or offline flashing: peripheral fault ⁽³⁾ off: online				
LEDs I1 ... In (yellow)	state of inputs I1 ... I4				
LEDs O1 ... On (yellow)	state of outputs O1 ... O4				
LED AUX (green)	on: 24 V _{DC} AUX off: no 24 V _{DC} AUX				
Environment					
Applied standards	EN 61000-6-2 EN 61000-6-3 EN 61131 EN 60529				
It can be used with a switched AUX cable, which is passively safe up to SIL3/PLe	yes ⁽⁴⁾	yes ⁽⁸⁾	yes ⁽⁹⁾	no ⁽¹⁰⁾	yes ⁽¹¹⁾
Operating altitude	max. 2000 m				
Ambient temperature	-25 °C ... +55 °C (up to max. +70 °C) ⁽⁶⁾ ⁽⁵⁾ ⁽⁶⁾ ⁽⁷⁾				
	no condensation permitted				
Storage temperature	-25 °C ... +85 °C				
Housing	plastic, for DIN rail mounting				
Pollution Degree	2				
Protection category	IP20				
Tolerable loading referring to humidity	according to EN 61131-2				
Voltage of insulation	≥500 V				
Weight	120 g				
Dimensions (W / H / D in mm)	22,5 / 99 / 92	22,5 / 99 / 114	22,5 / 99 / 92	22,5 / 99 / 92	22,5 / 99 / 114

(1) Loop resistance ≤150 Ω

(2)



- (3) see table „peripheral fault indication“
- (4) BWU3842 from Ident. No. 18488; the module is suitable for use in passively safe paths because an exclusion of errors can be assumed for the connection of the two potentials, ASi and AUX.
- (5) Maximum ambient operating temperature +55 °C according UL certificate for the use in the USA and Canada.



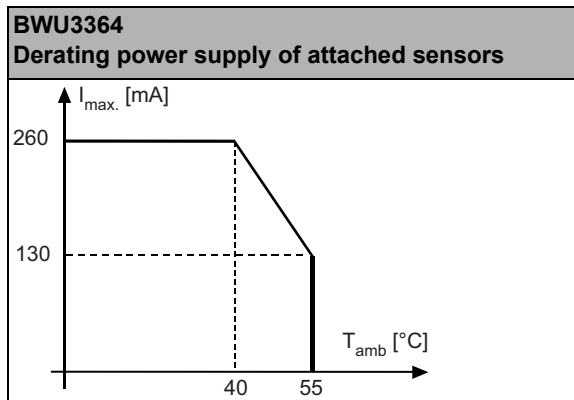
- (8) BWU1938 from Ident. No. 18430; the module is suitable for use in passively safe paths because an exclusion of errors can be assumed for the connection of the two potentials, ASi and AUX.
- (9) BWU3559 from Ident. No. 18507; the module is suitable for use in passively safe paths because an exclusion of errors can be assumed for the connection of the two potentials, ASi and AUX.
- (10) The module is not suitable for use in paths with a passively safe-switched AUX cable, since an exclusion of errors cannot be assumed for the connection of the two ASi and AUX potentials.
 If the module is supplied from an unswitched AUX cable, this has no influence on the safety consideration for the paths with passively safe-switched AUX cable. In an ASi circuit, paths supplied from a passively safe-switched AUX cable and paths supplied from unswitched AUX potential can be used together.
- (11) BWU2759 from Ident. No. 18506; The module is suitable for use in paths with a passively safe-switched AUX cable, since an exclusion of errors can be assumed for the connection of the two ASi and AUX potentials.

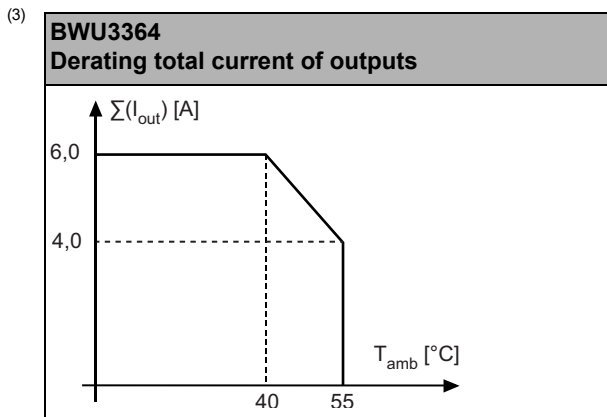
Article no.	BWU3364		BWU2490		BWU2800		BWU3359	
General data								
Device type	input / output						input / output	
Connection								
ASi / AUX connection	Push-in terminals							
Periphery connection	Push-in terminals							
Primary application	control cabinet							
Length of connector cable	I/O: unlimited ⁽¹⁾							
ASi								
Profile	ASi node 1: S-7.A.7, ID1=7 (fixed), ASi node 2: S-7.A.7, ID1=6 (default)			ASi node 1: S-7.0.E, ID1=F (default) ASi node 2: S-7.0.E, ID1=E (default)		ASi node 1: S-7.A.7, ID1=7 (fixed), ASi node 2: S-7.A.7, ID1=6 (default)		
Address	2 AB addresses			2 single addresses		2 AB addresses		
Required Master profile	≥M4			≥M0		≥M4		
Since ASi specification	3.0			2.0		3.0		
Operating voltage	30 V (18 ... 31.6 V)							
Max. current consumption	320 mA			60 mA				
Max. current consumption without sensor/ actuator supply	60 mA			60 mA				
AUX								
Voltage	24 V (18 ... 30 V)							
Max. current consumption	8 A						8 A	
Input								
Number	8						8 (NPN)	
Power supply	out of ASi			out of AUX				
Sensor supply	short-circuit and overload protected according to EN 61131							
Power supply of attached sensors	up to +40 °C	260 mA ⁽²⁾		900 mA permanent operation ⁽⁶⁾			1200 mA permanent operation ⁽¹²⁾	
	at +55 °C	130 mA ⁽²⁾		700 mA permanent operation ⁽⁶⁾			900 mA permanent operation ⁽¹²⁾	
	at +70 °C	–		600 mA permanent operation ⁽⁶⁾			600 mA permanent operation ⁽¹²⁾	
Switching threshold				U<5 V (low) U>15 V (high)			ground I+ -U<5 V (low) -U>15 V (high)	
Output								
Number	8 x electronic						8 x electronic (NPN)	
Power supply	out of AUX						out of AUX	
Actuator supply	short-circuit and overload protected according to EN 61131							
Max. output current	up to +40 °C	1 A per output, ∑ (O1 ... O4) 3 A + ∑ (O5 ... O8) 3 A ⁽³⁾		1 A per output, ∑ (O1 ... O4) 3 A + ∑ (O5 ... O8) 3 A ⁽⁷⁾			0,5 A per output, ∑ (Out) 4 A ⁽¹³⁾	
	at +55 °C	1 A per output, ∑ (O1 ... O4) 2 A + ∑ (O5 ... O8) 2 A ⁽³⁾						
	at +70 °C	–		1 A per output, ∑ (O1 ... O8) 1 A ⁽⁷⁾			0,5 A per output, ∑ (Out) 0,5 A ⁽¹³⁾	

Article no.	BWU3364	BWU2490	BWU2800	BWU3359
Display				
LED ASI/FLT 1 (red/green)	green: online red: offline yellow/red flashing: address 0			
LED ASI/FLT 2 (red/green)	green: online red: offline yellow/red flashing: address 0 red/green flashing: peripheral fault ⁽⁴⁾ red flashing: ASi node 2 is switched off, because ASi node 1 is offline			
LEDs I1 ... In (yellow)	state of inputs I1 ... I8			
LEDs O1 ... On (yellow)	state of outputs O1 ... O8			state of outputs O1 ... O8
LED AUX (green)	on: 24 V _{DC} AUX off: no 24 V _{DC} AUX			
Environment				
Applied standards	EN 61000-6-2 EN 61000-6-3 EN 61131 EN 60529			
It can be used with a switched AUX cable, which is passively safe up to SIL3/PLe	yes ⁽⁵⁾	yes ⁽⁸⁾	yes ⁽¹¹⁾	no ⁽¹⁴⁾
Operating altitude	max. 2000 m			
Ambient temperature	30 °C ... +55 °C ⁽²⁾ ⁽³⁾	-30 °C ... +55 °C (up to max. +70 °C) ⁽⁶⁾ ⁽⁷⁾ ⁽⁹⁾ ⁽¹⁰⁾		-30 °C ... +55 °C (up to max. +70 °C) ⁽⁹⁾ ⁽¹²⁾ ⁽¹³⁾
	no condensation permitted			
Storage temperature	-25 °C ... +85 °C			
Housing	plastic, for DIN rail mounting			
Pollution Degree	2			
Protection category	IP20			
Tolerable loading referring to humidity	according to EN 61131-2			
Voltage of insulation	≥500 V			
Weight	120 g			
Dimensions (W / H / D in mm)	22,5 / 99 / 114			

⁽¹⁾ Loop resistance ≤150 Ω

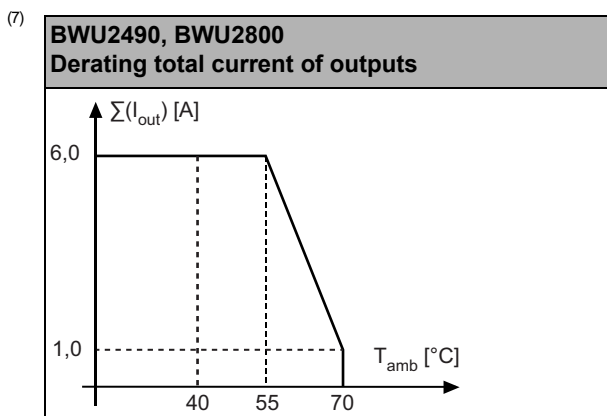
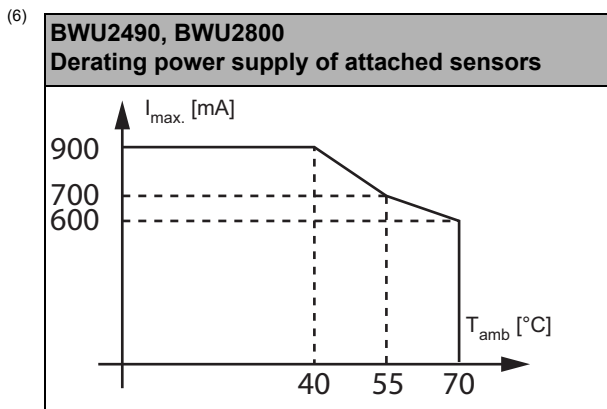
⁽²⁾





(4) see table „peripheral fault indication“

(5) BWU3364 from Ident. No. 18441; The module is suitable for use in paths with a passively safe-switched AUX cable, since an exclusion of errors can be assumed for the connection of the two ASi and AUX potentials.

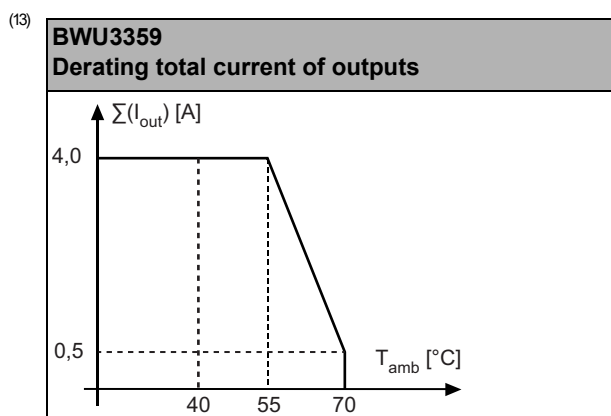
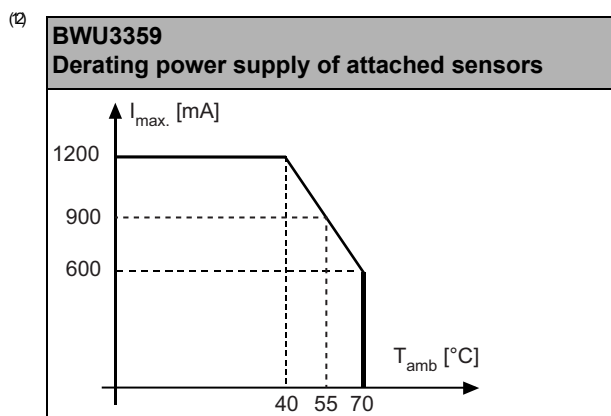


(8) BWU2490 from Ident. No. 18307; The module is suitable for use in paths with a passively safe-switched AUX cable, since an exclusion of errors can be assumed for the connection of the two ASi and AUX potentials.

(9) Maximum ambient operating temperature +55 °C according UL certificate for the use in the USA and Canada.

(10) Temperature range up to -30°C from Ident.No. ≥16283 (BWU2490); Ident.No. ≥16299 (BWU2800).

(11) BWU2800 from Ident. No. 18544; The module is suitable for use in paths with a passively safe-switched AUX cable, since an exclusion of errors can be assumed for the connection of the two ASi and AUX potentials.



(14) The module is not suitable for use in paths with a passively safe-switched AUX cable, since an exclusion of errors cannot be assumed for the connection of the two ASi and AUX potentials.
 If the module is supplied from an unswitched AUX cable, this has no influence on the safety consideration for the paths with passively safe-switched AUX cable. In an ASi circuit, paths supplied from a passively safe-switched AUX cable and paths supplied from unswitched AUX potential can be used together.

Article no.	BWU3878	BWU3435	BWU3658	BWU3549
General data				
Device type	input / output			
Connection				
ASi / AUX Connection	Push-in terminals			
Periphery connection	Push-in terminals			
Primary application	control cabinet			
Length of connector cable	I/O: unlimited ⁽¹⁾			
ASi				
Profile	S.7.A.7.0	S-7.F.E, ID1=F (default)	S-7.0.E, ID1=F (default)	S-7.A.7, ID=7(fixed)
Address	1 AB address	1 single address		1 AB address
Required Master profile	≥M3	≥M0		≥M4
Since ASi specification	2			3
Operating voltage	30 V (26,5 ... 31.6 V)			
Max. current consumption	200 mA			165 mA
Max. current consumption without sensor/ actuator supply	45 mA			

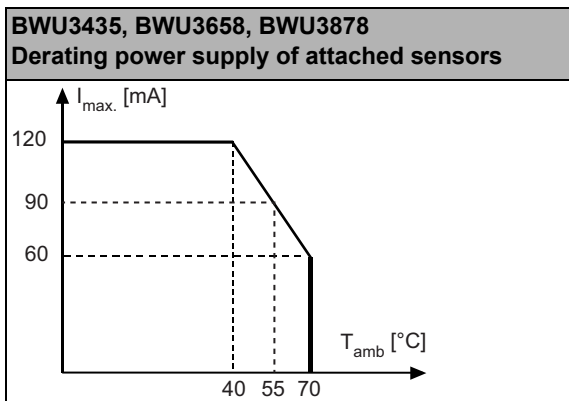
Digital Modules ASi in IP20, 22,5 mm



Article no.	BWU3878	BWU3435	BWU3658	BWU3549
Input				
Number	4			
Power supply	out of ASi			
Sensor supply	short-circuit and overload protected according to EN 61131			
Power supply of attached sensors	up to +40 °C	120 mA ⁽²⁾		120 mA ⁽⁶⁾
	at +55 °C	90 mA ⁽²⁾		90 mA ⁽⁶⁾
	at +70 °C	60 mA ⁽²⁾		60 mA ⁽⁶⁾
Switching threshold	U < 5 V (low) U > 15 V (high)			
Output				
Number	3 x relay outputs, normally open, 230 VAC/2A/AC-14, 30 VDC/2A/DC-13 Σ (Out) 8 A	4 x relay outputs, normally open, 230 VAC/2A/AC-14, 30 VDC/2A/DC-13 Σ (Out) 8 A		
Relay control	out of ASi			
Max. output current	-			
Display				
LED ASI (green)	on: ASi voltage on, flashing: ASi voltage on, but peripheral fault ⁽³⁾ or address 0 off: no ASi Voltage			
LED FLT/FAULT (red)	on: address 0 or offline flashing: peripheral fault ⁽³⁾ off: online			
LEDs I1 ... I4 (yellow)	state of inputs I1 ... I4			
LEDs O1 ... O4 (yellow)	state of outputs O1 ... O3	state of outputs O1 ... O4		
Environment				
Applied standards	EN 61000-6-2 EN 61000-6-3 EN 61131 EN 60529			
It can be used with a switched AUX cable, which is passively safe up to SIL3/PLe	yes ⁽⁴⁾			
Operating altitude	max. 2000 m			
Ambient temperature	-25 °C ... +55 °C (up to max. +70 °C) ⁽²⁾ ⁽⁵⁾		-25 °C ... +55 °C (up to max. +70 °C) ⁽⁵⁾ ⁽⁶⁾	
	no condensation permitted			
Storage temperature	-25 °C ... +85 °C			
Housing	plastic, for DIN rail mounting			
Pollution Degree	2			
Protection category	IP20			
Tolerable loading referring to humidity	according to EN 61131-2			
Voltage of insulation	≥ 500 V			
Weight	120 g			
Dimensions (W / H / D in mm)	22,5 / 99 / 114			

⁽¹⁾ Loop resistance ≤ 150 Ω

(2)

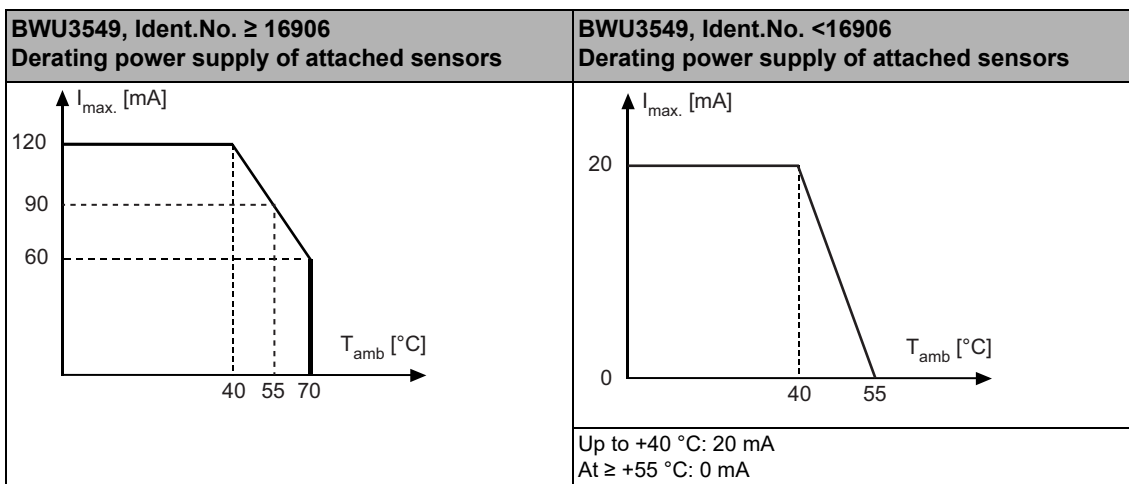


(3) see table "Peripheral fault indication"

(4) The module is suitable for use in passively safe paths as it has no connection to an AUX potential.

(5) Maximum ambient operating temperature +55 °C according UL certificate for the use in the USA and Canada.

(6)



Wiring rules

Push-in terminals, 2 / 3 / 4 poles (pitch 5 mm)	
General	
Nominal cross section	2.5 mm ²
Conductor cross section	
Conductor cross section solid	0.2 ... 2.5 mm ²
Conductor cross section flexible	0.2 ... 2.5 mm ²
Conductor cross section flexible, with ferrule	without plastic sleeve: 0.25 ... 2.5 mm ² with plastic sleeve: 0.25 ... 2.5 mm ²
2 conductors with same cross section, stranded, with TWIN ferrules	without plastic sleeve: 0.5 ... 1.5 mm ²
AWG	24 ... 14
Stripped insulation length	10 mm

UL-specifications (UL508)	
External protection	An isolated source with a secondary open circuit voltage of ≤30 V _{DC} with a 3 A maximum over current protection. Over current protection is not required when a Class 2 source is employed.
In general	UL mark does not provide UL certification for any functional safety rating or aspects of the above devices.

Article no.	Peripheral fault indication	
	Overload sensor supply	AUX voltage missing
BWU1938	-	•
BWU2490	-	•
BWU2759	-	•
BWU2783	•	-
BWU2800	-	•
BWU3265	•	-
BWU3266	•	•
BWU3267	•	•
BWU3268	•	•
BWU3272	•	-
BWU3359	-	•
BWU3364	•	•
BWU3435	•	-
BWU3549	•	-
BWU3559	-	•
BWU3658	•	-
BWU3733	-	•
BWU3747	•	-
BWU3754	•	•
BWU3842	-	•
BWU3878	•	-

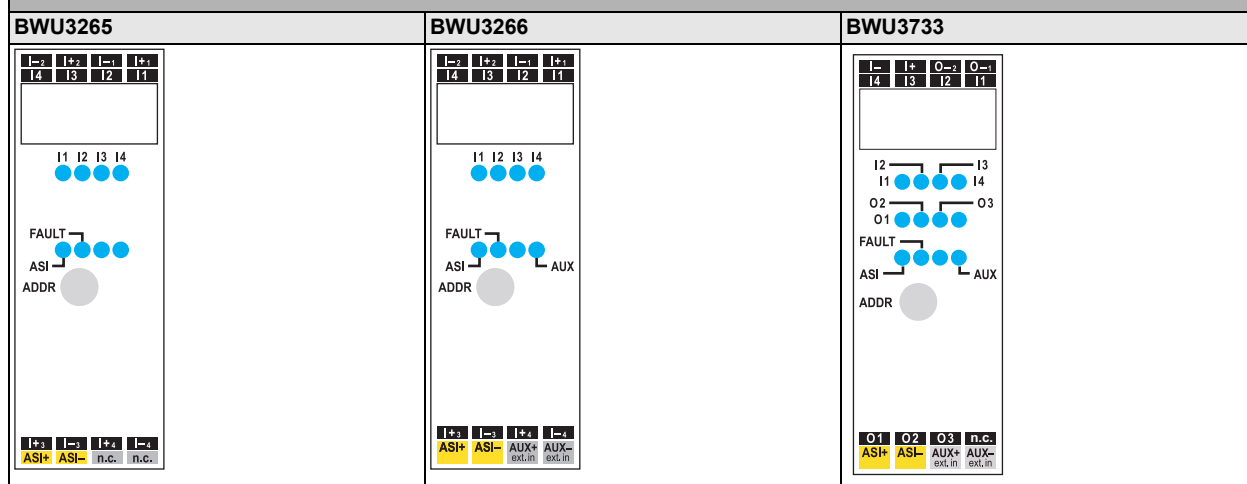
Programming	Bit setting			
	D3	D2	D1	D0
	input			
BWU1938 / BWU2759 / BWU2783 / BWU3265 / BWU3266 / BWU3267 / BWU3268 / BWU3272 / BWU3435 / BWU3549 / BWU3559 / BWU3658 / BWU3733 / BWU3747 / BWU3754 / BWU3842 / BWU3878	I4	I3	I2	I1
BWU2490 / BWU2800 / BWU3359 / BWU3364	ASi node 1: I4 ASi node 2: I8	ASi node 1: I3 ASi node 2: I7	ASi node 1: I2 ASi node 2: I6	ASi node 1: I1 ASi node 2: I5
	output			
BWU1938 / BWU2759 / BWU2783 / BWU3267 / BWU3268 / BWU3272 / BWU3435 / BWU3549 / BWU3559 / BWU3658 / BWU3754 / BWU3842	O4	O3	O2	O1
BWU3733, BWU3878	-	O3	O2	O1
BWU2490 / BWU2800 / BWU3359 / BWU3364	ASi node 1: O4 ASi node 2: O8	ASi node 1: O3 ASi node 2: O7	ASi node 1: O2 ASi node 2: O6	ASi node 1: O1 ASi node 2: O5

Programming	Bit setting			
	parameter bit			
	P3	P2	P1	P0
BWU3364 / BWU3265 / BWU3266				0 = off / 1 = on (peripheral fault, if AUX voltage missing)
BWU1938 / BWU2759 / BWU2783 / BWU3267 / BWU3268 / BWU3272 / BWU3435 / BWU3549 / BWU3559 / BWU3658 / BWU3733 / BWU3754 / BWU3842 / BWU3878	not used	0 = on / 1 = off (synchronous I/O mode)	0 = on / 1 = off (data input filter 128 µs)	0 = off / 1 = on (watchdog)
BWU2490 / BWU2800 / BWU3359 / BWU3747				not used, watchdog always on

Connections

Name	Explanation
I _x	digital input x
O _x	digital output x
O _{x3} , O _{x4}	relay output x
I ₊ , I ₋ , I ₊ _n , I ₋ _n	sensor supply
O ₋ _n	GND for outputs (PNP)
O ₊ _n	GND for outputs (NPN)
AUX + _{ext.in}	power supply, out of external voltage, positive pole (AUX, actuator supply)
AUX - _{ext.in}	power supply, out of external voltage, negative pole (AUX, actuator supply)
ASi +, ASi -	connection to ASi bus
ADDR	connection for ASi addressing device
n.c. (not connected)	not connected

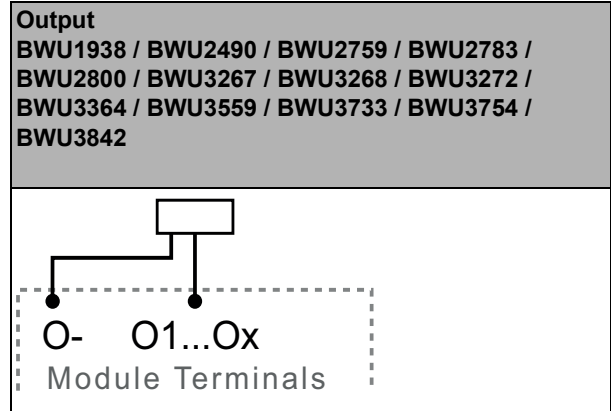
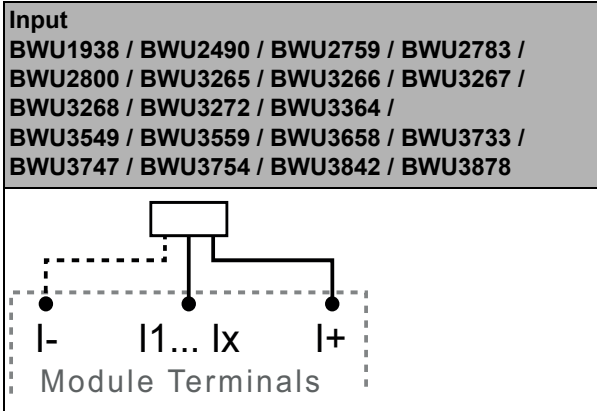
Connections

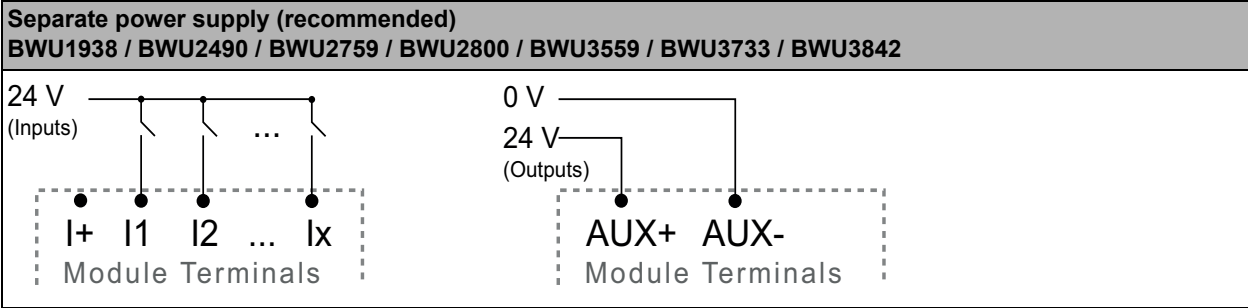


Connections		
<p>BWU2783 / BWU3272</p>	<p>BWU1938 / BWU2759 / BWU3559 / BWU3842</p>	<p>BWU3747</p>
<p>BWU3267 / BWU3268</p>	<p>BWU2490 / BWU2800 / BWU3364</p>	<p>BWU3359</p>

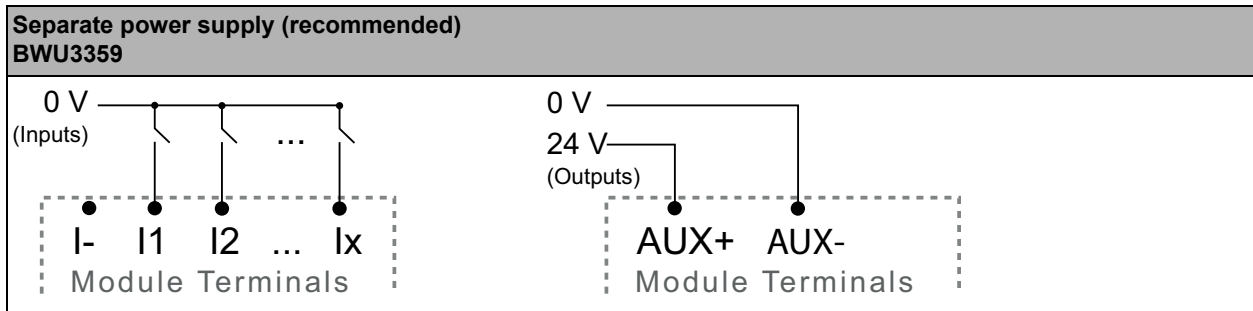
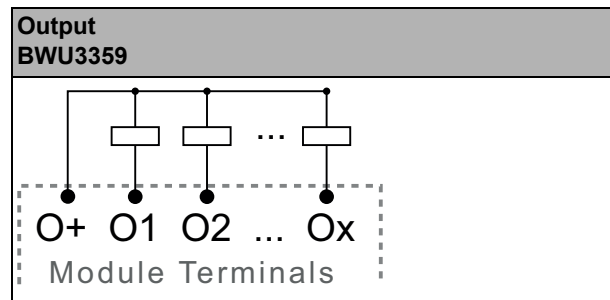
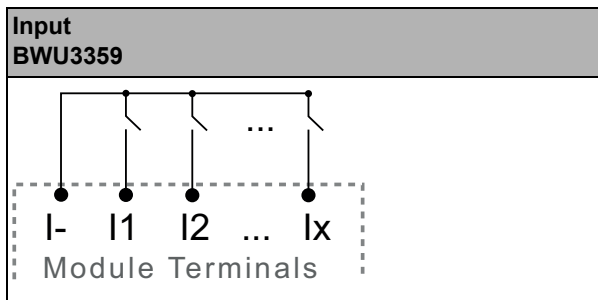
Connections		
<p>BWU3435</p> <p>Terminal block: I1, I2, I3, I4; O1, O2, O3, O4; FAULT; ASI; ADDR.</p> <p>Bottom labels: I+1, I-1, I+2, I-2; I1, I2, I3, I4; ASI+, ASI-, n.c., n.c.</p>	<p>BWU3549</p> <p>Terminal block: I1, I2, I3, I4; O1, O2, O3, O4; FAULT; ASI; ADDR.</p> <p>Bottom labels: I+1, I-1, I+2, I-2; I1, I2, I3, I4; ASI+, ASI-, n.c., n.c.</p>	<p>BWU3658</p> <p>Terminal block: I1, I2, I3, I4; O1, O2, O3, O4; FAULT; ASI; ADDR.</p> <p>Bottom labels: I+1, I-1, I+2, I-2; I1, I2, I3, I4; ASI+, ASI-, n.c., n.c.</p>
<p>BWU3754</p> <p>Terminal block: I1, I2, I3, I4; O1, O2, O3, O4; FAULT; ASI; AUX; ADDR.</p> <p>Bottom labels: O-1, O-2, O-3, O-4; O1, O2, O3, O4; ASI+, ASI-, AUX+, AUX-; ext.in, ext.in.</p>	<p>BWU3878</p> <p>Terminal block: I1, I2, I3, I4; O1, O2, O3; FAULT; ASI; ADDR.</p> <p>Bottom labels: I+1, I-1, I+2, I-2; I1, I2, I3, I4; ASI+, ASI-, n.c., n.c.</p>	

Power supply PNP

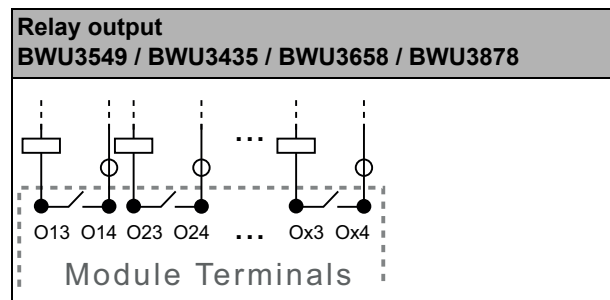
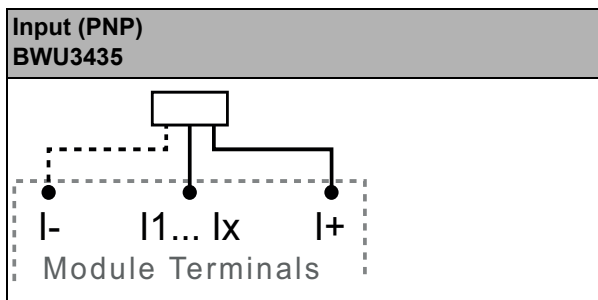




Power supply NPN



Connection relay output



	<p>Note</p> <p>To achieve passive safety, the device must be installed in a switching cabinet with protection class IP54.</p>
--	--

Accessories:

- ASi-5/ASi-3 Address Programming Device (art. no. BW4925)