



▶ PSSu E PD1(-T)

PILZ
THE SPIRIT OF SAFETY

Operating Manual-21453-EN-06
- Decentralised system PSSuniversal I/O



This document is the original document.

Where unavoidable, for reasons of readability, the masculine form has been selected when formulating this document. We do assure you that all persons are regarded without discrimination and on an equal basis.

All rights to this documentation are reserved by Pilz GmbH & Co. KG. Copies may be made for the user's internal purposes. Suggestions and comments for improving this documentation will be gratefully received.

Pilz®, PIT®, PMI®, PNOZ®, Primo®, PSEN®, PSS®, PVIS®, SafetyBUS p®, SafetyEYE®, SafetyNET p®, the spirit of safety® are registered and protected trademarks of Pilz GmbH & Co. KG in some countries.



SD means Secure Digital

1	Introduction	5
1.1	Validity of documentation	5
1.1.1	Retaining the documentation	5
1.2	Definition of symbols	5
2	Overview	7
2.1	Module structure	7
2.2	Module features	7
2.3	Front view	8
3	Safety	10
3.1	Intended Use	10
3.2	Safety regulations	11
3.2.1	Use of qualified personnel	11
3.2.2	Warranty and liability	11
3.2.3	Disposal	11
4	Function description	12
4.1	Block diagram	12
4.2	Module features	12
4.2.1	Functions	12
4.3	Configuration	12
4.3.1	Configuration	12
4.3.2	Addresses in the process image	12
5	Installation	13
5.1	General installation guidelines	13
5.1.1	Dimensions	13
5.2	Installing the base module	14
5.3	Inserting and removing an electronic module	15
5.3.1	Inserting an electronic module	16
5.3.2	Removing an electronic module	17
5.3.3	Changing an electronic module during operation	17
6	Wiring	18
6.1	General wiring guidelines	18
6.1.1	Mechanical connection of the base modules	18
6.2	Terminal configuration	20
7	Operation	22
7.1	Messages and display elements	22
8	Technical details	23
9	Supplementary data	25
9.1	Permitted operating height	25

10	Order reference	26
10.1	Product.....	26
10.2	Accessories.....	26

1 Introduction

1.1 Validity of documentation

This documentation is valid for the products PSSu E PD1 and PSSu E PD1-T. It is valid until new documentation is published.

This operating manual explains the function and operation, describes the installation and provides guidelines on how to connect the product.

1.1.1 Retaining the documentation

This documentation is intended for instruction and should be retained for future reference.

1.2 Definition of symbols

Information that is particularly important is identified as follows:



DANGER!

This warning must be heeded! It warns of a hazardous situation that poses an immediate threat of serious injury and death and indicates preventive measures that can be taken.



WARNING!

This warning must be heeded! It warns of a hazardous situation that could lead to serious injury and death and indicates preventive measures that can be taken.



CAUTION!

This refers to a hazard that can lead to a less serious or minor injury plus material damage, and also provides information on preventive measures that can be taken.



NOTICE

This describes a situation in which the product or devices could be damaged and also provides information on preventive measures that can be taken. It also highlights areas within the text that are of particular importance.



INFORMATION

This gives advice on applications and provides information on special features.

2 Overview

2.1 Module structure

A module consists of

- ▶ Electronic module and
- ▶ Base module with
 - Screw terminals or
 - Cage clamp terminals

The base modules are the carrier units for the electronic modules and are used to connect the field wiring. The electronic modules are inserted on to the base modules and determine the module's function.

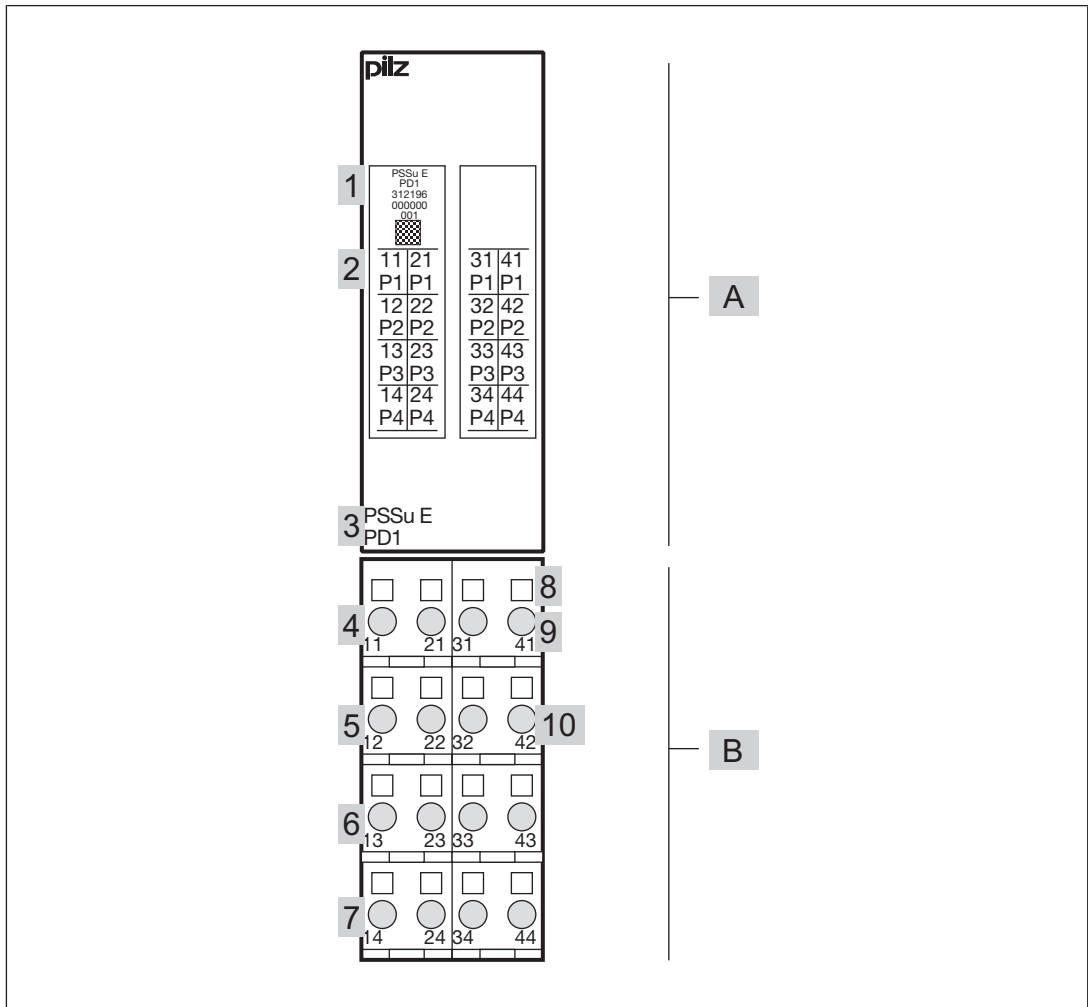
Details of the base modules that can be used are available in the chapter entitled “Intended Use”.

2.2 Module features

The product has the following features:

- ▶ The module provides connections for external supplies.
- ▶ The external supplies are galvanically isolated from the module bus supplies.
- ▶ T-type:
 - PSSu E PD1-T: for increased environmental requirements

2.3 Front view



Legend:


- ▶ A: Electronic module
- ▶ B: Base module
- ▶ 1: Labelling strip with:
 - Name of electronic module
 - Order number
 - Serial number
 - Hardware version number
 - 2D code
- ▶ 2: Labelling strip for the terminal configuration on the base module
- ▶ 3: Name of electronic module
- ▶ 4: Connection level 1
- ▶ 5: Connection level 2
- ▶ 6: Connection level 3
- ▶ 7: Connection level 4


- ▶ 8: Square mounting holes (connection levels 1, 2, 3 and 4)
 - With screw to loosen/tighten the screw terminal on base modules with screw terminals
 - With mechanism to operate the cage clamp on base modules with cage clamp terminals
- ▶ 9: Round connection holes (connection levels 1, 2, 3 and 4) for connecting the signal lines
- ▶ 10: Mounting slot for colour marker to label the connection level (connection levels 1, 2, 3 and 4)

3 Safety

3.1 Intended Use

The module may be used to feed and extract external supplies to and from the connection terminals.

The module PSSu E PD1-T is suitable for use where there are increased environmental requirements (see [Technical details](#)  23]).

With reference to the standard IEC 61131-2 the values stated in the technical details for ambient temperature are reduced at heights >2000 m operating height above sea level (see [Supplementary data](#)  25]).

Intended use includes making the electrical installation EMC-compliant. Please refer to the guidelines stated in the "PSSuniversal Installation Manual". The module is designed for use in an industrial environment. It is not suitable for use in a domestic environment, as this can lead to interference.

The following is deemed improper use in particular:

- ▶ Any component, technical or electrical modification to the module
- ▶ Use of the module outside the areas described in this manual
- ▶ Any use of the module that is not in accordance with the technical details.



INFORMATION

The module is supported by

- ▶ PSSuniversal Configurator and PSSuniversal Assistant from Version 1.4.0
- ▶ PAS4000 from Version 1.0.0
 - We recommend that you always use the latest version (download from www.pilz.com).

The PSSu E PD1 module may be used in conjunction with the following base modules:

- ▶ PSSu BP 2/16 S
- ▶ PSSu BP 2/16 C
- ▶ PSSu BP-C 2/16 S
- ▶ PSSu BP-C 2/16 C

The module PSSu E PD1-T may be used in conjunction with the following base modules:

- ▶ PSSu BP 2/16 S-T
- ▶ PSSu BP 2/16 C-T
- ▶ PSSu BP-C 2/16 S-T
- ▶ PSSu BP-C 2/16 C-T

3.2 Safety regulations

3.2.1 Use of qualified personnel

The products may only be assembled, installed, programmed, commissioned, operated, maintained and decommissioned by persons who are competent to do so.

A competent person is a qualified and knowledgeable person who, because of their training, experience and current professional activity, has the specialist knowledge required. To be able to inspect, assess and operate devices, systems and machines, the person has to be informed of the state of the art and the applicable national, European and international laws, directives and standards.

It is the company's responsibility only to employ personnel who

- ▶ Are familiar with the basic regulations concerning health and safety / accident prevention,
- ▶ Have read and understood the information provided in the section entitled Safety
- ▶ Have a good knowledge of the generic and specialist standards applicable to the specific application.

3.2.2 Warranty and liability

All claims to warranty and liability will be rendered invalid if

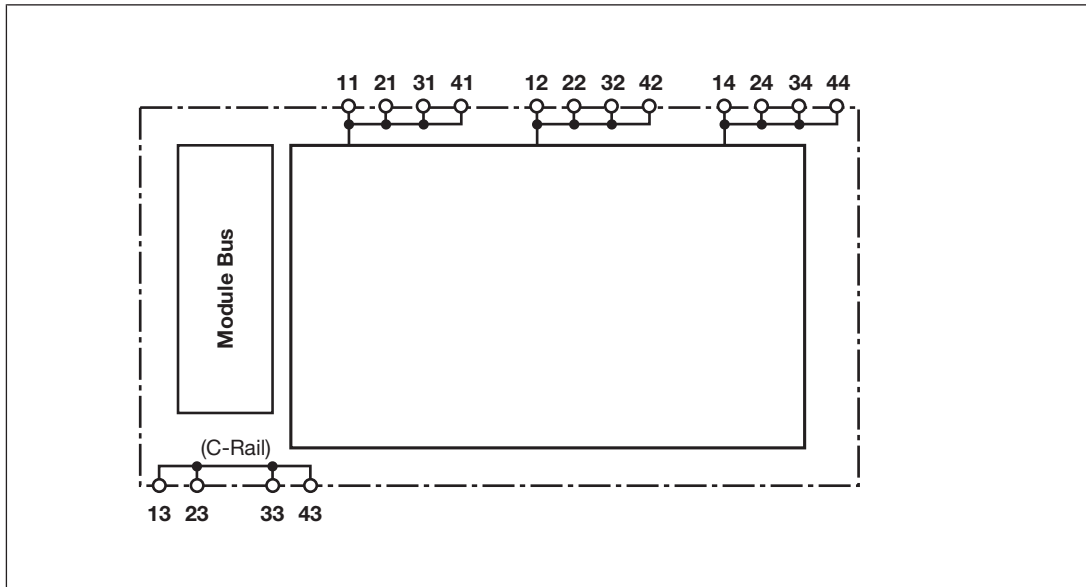
- ▶ The product was used contrary to the purpose for which it is intended,
- ▶ Damage can be attributed to not having followed the guidelines in the manual,
- ▶ Operating personnel are not suitably qualified,
- ▶ Any type of modification has been made (e.g. exchanging components on the PCB boards, soldering work etc.).

3.2.3 Disposal

- ▶ In safety-related applications, please comply with the mission time T_M in the safety-related characteristic data.
- ▶ When decommissioning, please comply with local regulations regarding the disposal of electronic devices (e.g. Electrical and Electronic Equipment Act).

4 Function description

4.1 Block diagram



4.2 Module features

4.2.1 Functions

Module supply

- ▶ The module needs no supply from the module supply.

Periphery supply

- ▶ The module distributes the periphery supply on the module bus.
- ▶ The periphery supply is not available on the module's connection terminals.

External supplies

- ▶ The module provides connections for external supplies.
- ▶ The module does not switch the external supplies.
- ▶ The external supplies are galvanically isolated from the module bus supplies and from each other.
- ▶ The module has no current limitation on the external supplies.

4.3 Configuration

4.3.1 Configuration

The module does not have to be configured.

4.3.2 Addresses in the process image

The module does not occupy any addresses in the process image.

5 Installation

5.1 General installation guidelines

Please refer also to the PSSuniversal Installation Manual.

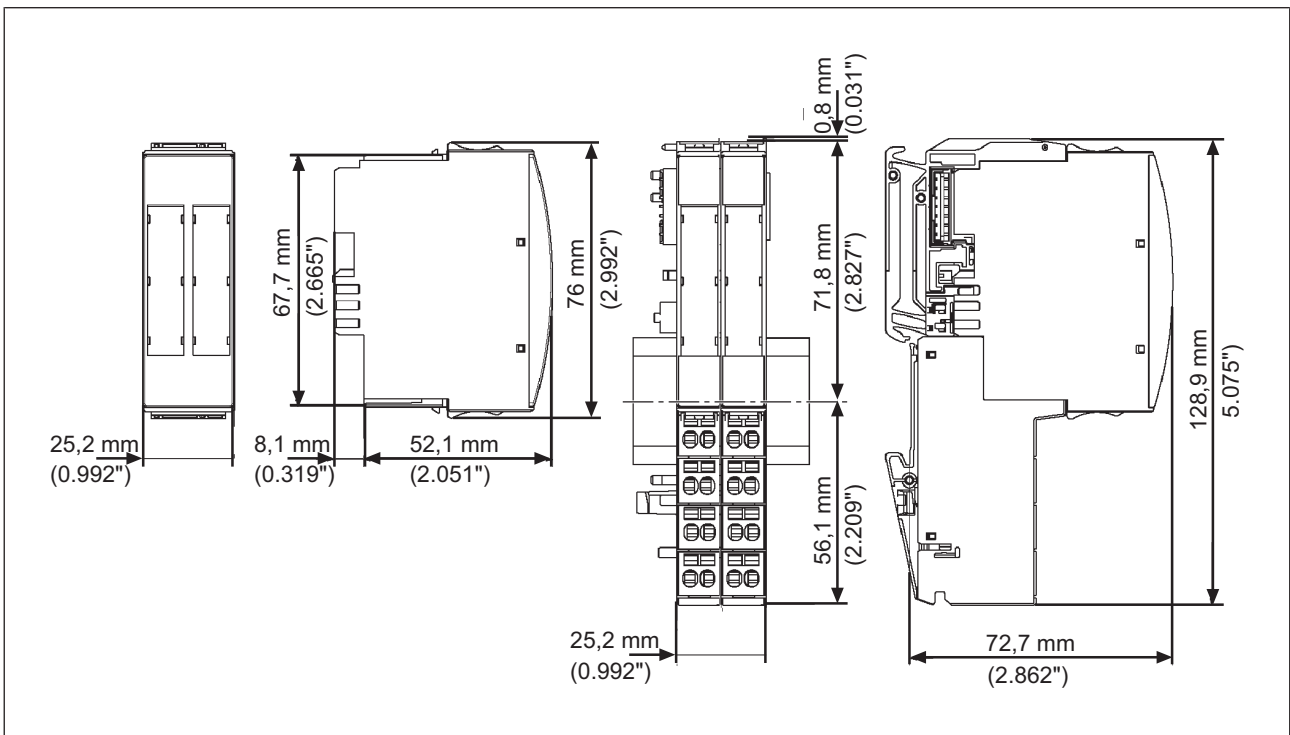


NOTICE

Damage due to electrostatic discharge!

Electrostatic discharge can damage components. Ensure against discharge before touching the product, e.g. by touching an earthed, conductive surface or by wearing an earthed armband.

5.1.1 Dimensions



5.2 Installing the base module

Prerequisite:

- ▶ The head module must be installed.
- ▶ If the head module does not have an integrated power supply, a supply voltage module must be installed to the right of the head module.

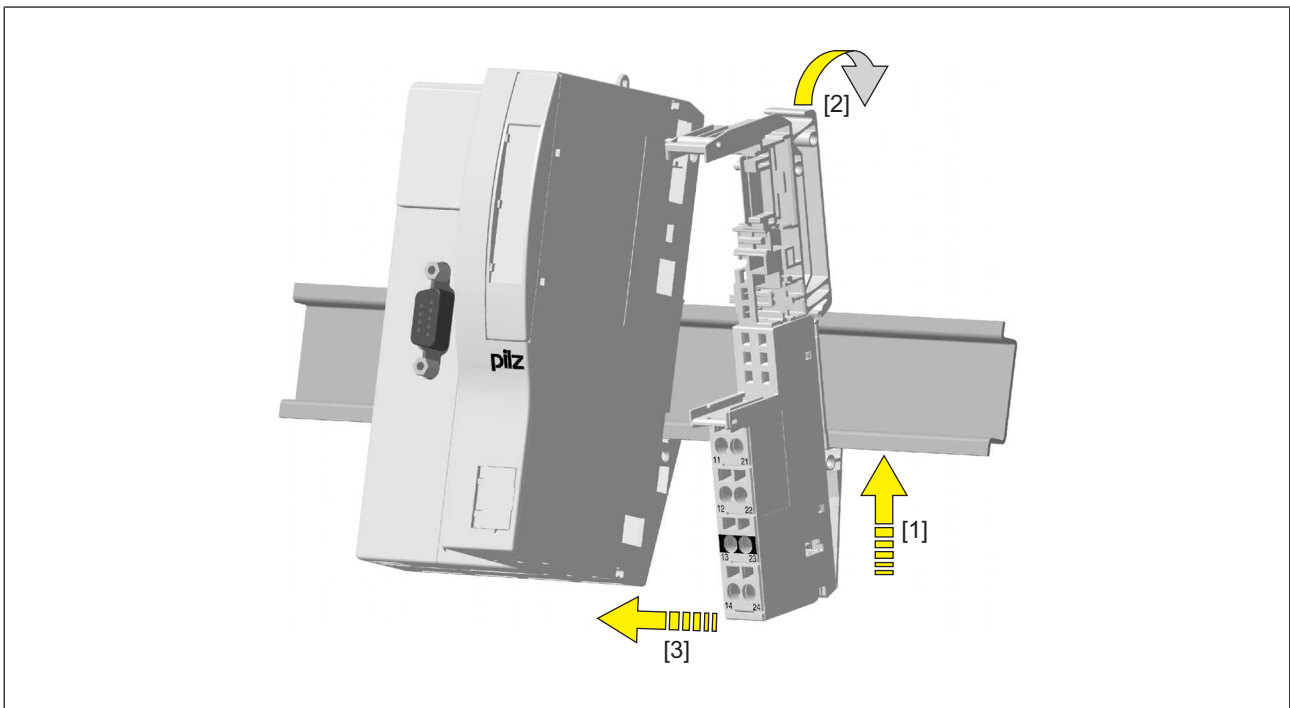
Please note:

- ▶ For mechanical reasons it is not possible to mix base modules with screw terminals and base modules with cage clamp terminals.
- ▶ All contacts should be protected from contamination.
- ▶ The mechanics of the base modules are designed for 50 plug in/out cycles.

Procedure:

- ▶ We recommend that you wire up the base modules before inserting the electronic modules.
- ▶ Slot the groove on the base module on to the mounting rail from below [1].
- ▶ Push the base module back [2] until you hear it lock into position.
- ▶ On the mounting rail, slide the base module to the left until you hear the two lateral mounting hooks on the adjacent module lock into position [3].

Schematic representation:



5.3 Inserting and removing an electronic module

Please note:

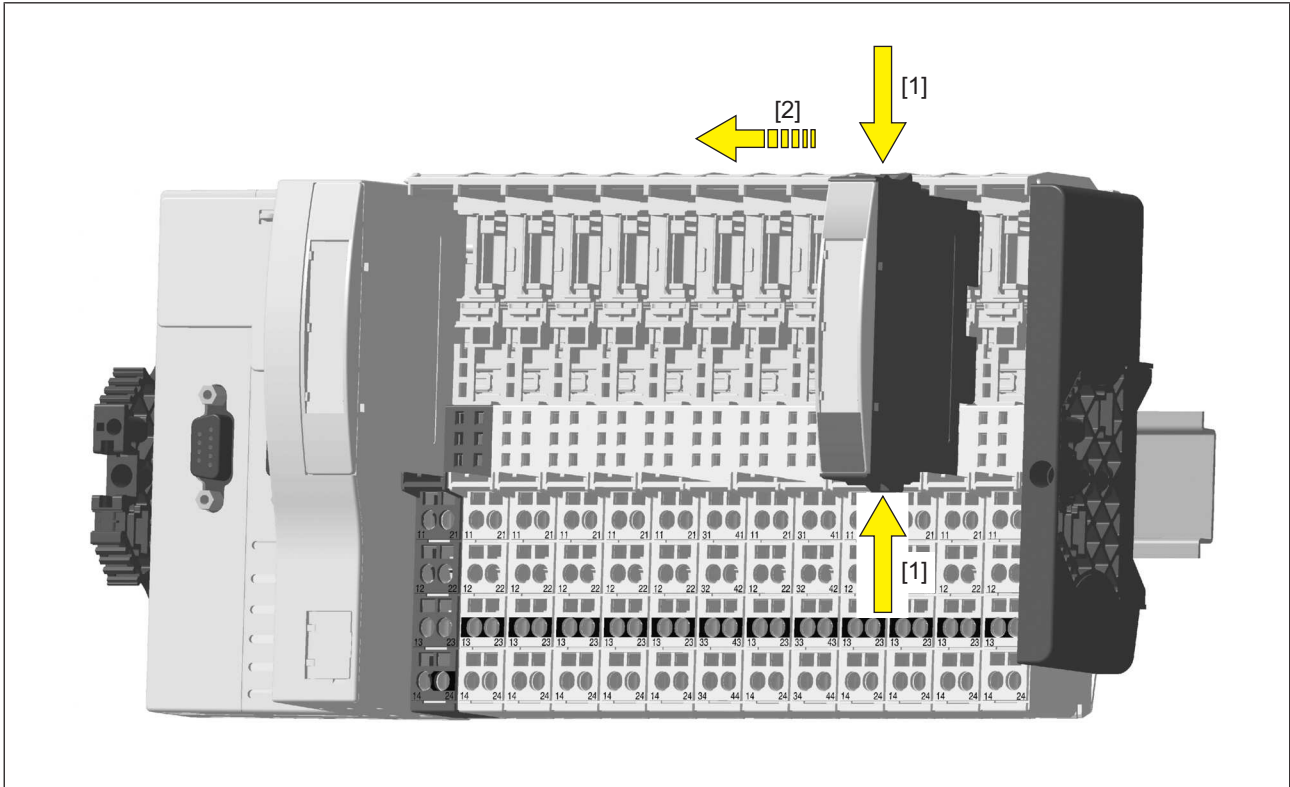
- ▶ Only insert on to base modules that are already installed.
- ▶ Preferably these base modules should be ready wired.
- ▶ Electronic modules with outputs may only be inserted and removed when the load is switched off. Unforeseeable error reactions may be triggered if modules are inserted and removed under load.
- ▶ When an electronic module is plugged into a base module for the first time, one part of the coding element remains on the electronic module, while its counterpart is fixed on to the base module. This is how the base module is coded.
- ▶ The mechanics of the electronic modules are designed for 50 plug in/out cycles.

5.3.2 Removing an electronic module

Procedure:

- ▶ Press the locking mechanisms [1] together simultaneously.
- ▶ Pull out the electronic module [2].

Schematic representation:



5.3.3 Changing an electronic module during operation

It is possible to change an electronic module during operation. The configuration data is retained when a module is changed.

Effects:

- ▶ System environment A:
 - In the event of a potential FS communication error, the FS section of the PSSu system and all relevant I/O-Groups (SafetyBUS p) switch to a STOP condition.
- ▶ System environment B:
 - All FS hardware outputs on the PSSu system switch to a safe condition.
 - The substitute values are used for the modules' FS outputs, with Valid Bits = FALSE.



CAUTION!

Sparking can cause interference and errors!

Only change the module when the load is switched off!

6 Wiring

6.1 General wiring guidelines

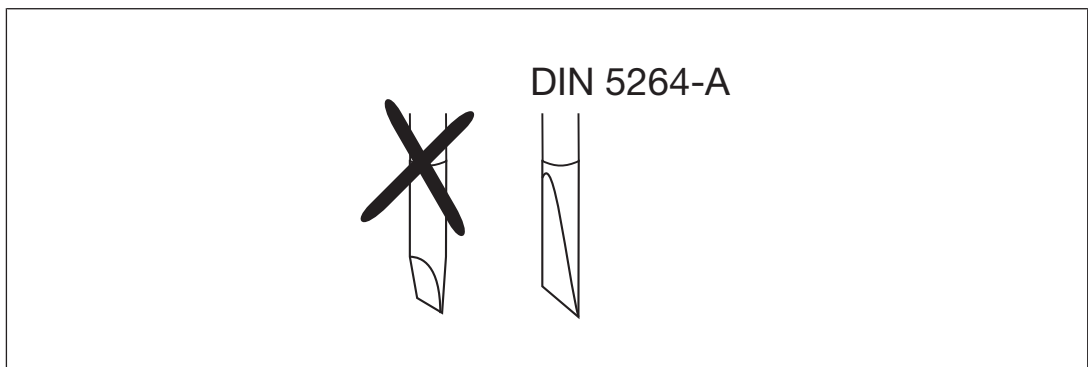
Please note:

- ▶ Safe electrical isolation must be ensured for the external supplies. Failure to do so could result in electric shock.
- ▶ The external power supplies must comply with the current applicable standard EN 60950-1, EN 61140, EN 50178 or EN 61558-1.
- ▶ The maximum current load on the connection terminals is 4 A per supply.
- ▶ Permitted infeed at the module's connection terminals:
 - PE
 - 0 V
 - Shield
 - - 30 VDC ... + 30 VDC
 - - 48 VAC ... + 48 VAC
- ▶ Use copper wiring.
- ▶ The terminal configuration as stated on the front plate applies for base modules without C-rail. The terminal configuration as stated in the technical documentation applies for all other base modules.

6.1.1 Mechanical connection of the base modules

Procedure:

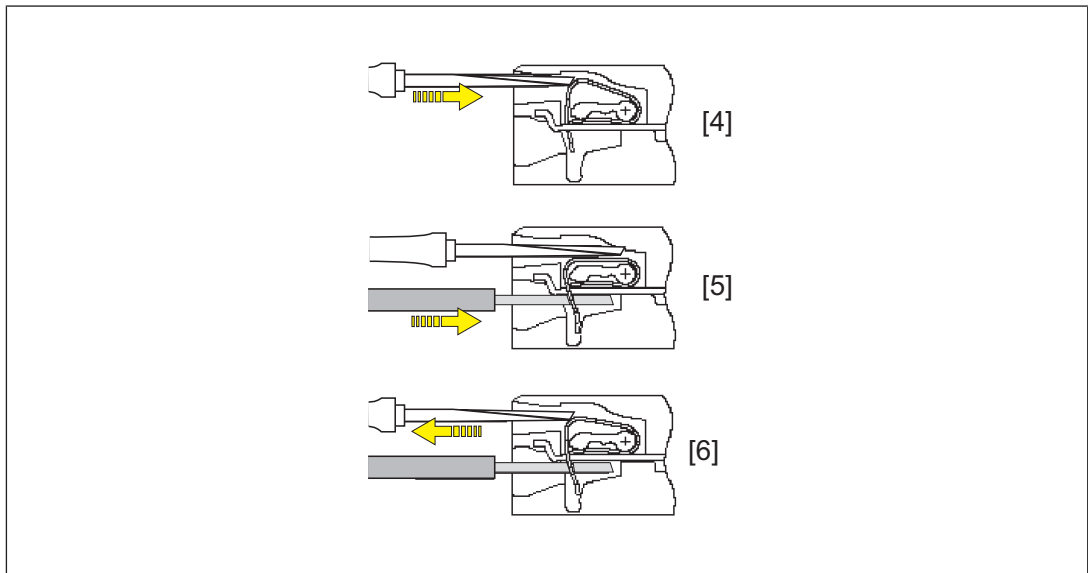
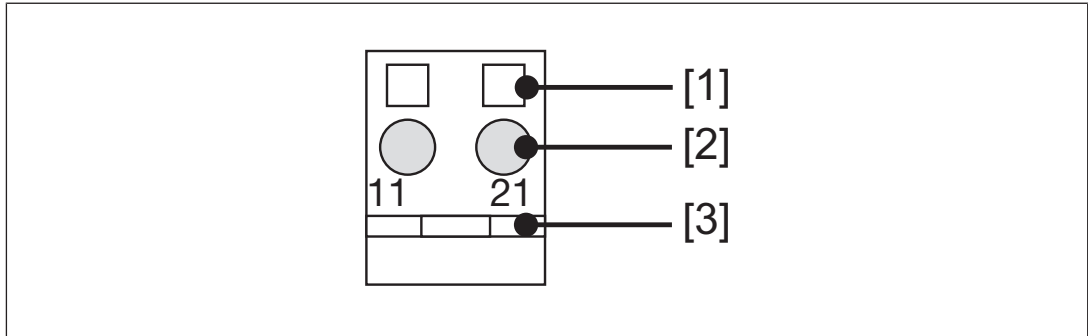
- ▶ Use a flat blade screwdriver (DIN 5264-A)!



- ▶ Strip the wire back 8 mm.
- ▶ If necessary, label the connection level with a colour marker [3].
- ▶ Base module with screw terminals:
 - Use a screwdriver to loosen the screw on the screw terminal [1]
 - Insert the stripped cable into the round fixing hole [2], as far as it will go.
 - Tighten up the screw on the screw terminal.
 - Check that the cable is firmly seated.

► Base module with cage clamp terminals:

- Insert the screwdriver [4] into the square hole [1].
- Insert the stripped cable into the round fixing hole [2], as far as it will go [5].
- Pull out the screwdriver [6].
- Check that the cable is firmly seated.



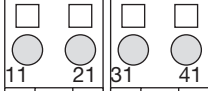
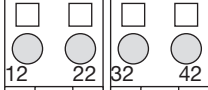
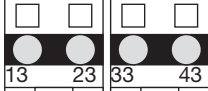
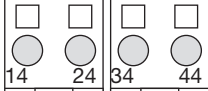
Please note:

- The minimum cable cross section for field connection terminals on the base modules is 0.14 mm² (AWG26).
- The maximum cable cross section for field connection terminals is:
 - Digital inputs: 1.5 mm² (AWG16)
 - Digital outputs: 2.0 mm² (AWG14)
 - Inputs/outputs on the counter modules: 1.5 mm² (AWG16)
 - Analogue inputs/outputs: 1.5 mm² (AWG16)
 - Communication cables: 1.5 mm² (AWG16)
 - Test pulse outputs: 1.5 mm² (AWG16)
 - Power supply: 2.5 mm² (AWG12)
 - Functional earth: 2.5 mm² (AWG12)

- ▶ On base modules with screw terminals:
 - If you use a multi-strand cable to connect the I/Os, it is recommended that you use ferrules conforming to Parts 1 and 2 of DIN 46228, 0.14 ... 1.5 mm², Form A or C, although this is not essential. To crimp the ferrules you can use crimp pliers (crimp form A or C) conforming to EN 60947-1, such as the PZ 1.5 or PZ 6.5 from Weidmüller, for example.
 - Maximum torque setting: 0.8 Nm
- ▶ Use copper wiring.

6.2 Terminal configuration

Base module	Terminal configuration	
Screw terminals: PSSu BP 2/16 S PSSu BP 2/16 S-T	11-21-31-41: P1 supply (11-21-31-41 linked internally)	
Cage clamp terminals: PSSu BP 2/16 C PSSu BP 2/16 C-T	12-22-32-42: P2 supply (12-22-32-42 linked within the base module)	
	13-23-33-43: P3 supply (13-23-33-43 linked within the base module)	
	14-24-34-44: P4 supply (14-24-34-44 linked internally)	

Base module	Terminal configuration	
Screw terminals: PSSu BP-C 2/16 S PSSu BP-C 2/16 S-T	11-21-31-41: P1 supply (11-21-31-41 linked internally)	
Cage clamp terminals: PSSu BP-C 2/16 C PSSu BP-C 2/16 C-T	12-22-32-42: P2 supply (12-22-32-42 linked within the base module)	
	13-23-33-43: C-rail supply (13-23-33-43 linked within the base module)	
	14-24-34-44: P4 supply (14-24-34-44 linked internally)	

7 Operation

7.1 Messages and display elements

The module provides no diagnostic data and has no display elements.

8 Technical details

General	312196	314196
Certifications	CE, UKCA, cULus Listed	BG, CE, TÜV, UKCA, cULus Listed
Application range	Standard	Standard
Application in system environment A		
from FS firmware version, other head modules	1	1
from ST firmware version, other head modules	1	1
from FS firmware version PSSu H F PN	1	1
from ST firmware version PSSu H S PN	1	1
from ST firmware version PSSu WR S IDN	1	1
Application in system environment B		
from FS firmware version, head modules	1.0.0	1.0.0
from ST firmware version, head modules	1.0.0	1.0.0
Electrical data	312196	314196
Max. power dissipation of module	0,6 W	0,6 W
Environmental data	312196	314196
Climatic suitability	EN 60068-2-1, EN 60068-2-14, EN 60068-2-2, EN 60068-2-30, EN 60068-2-78	EN 60068-2-1, EN 60068-2-14, EN 60068-2-2, EN 60068-2-30, EN 60068-2-78
Ambient temperature		
in accordance with the standard	EN 60068-2-14	EN 60068-2-14
Temperature range	0 - 60 °C	-40 - 70 °C
Storage temperature		
in accordance with the standard	EN 60068-2-1/-2	EN 60068-2-1/-2
Temperature range	-25 - 70 °C	-40 - 70 °C
Climatic suitability		
in accordance with the standard	EN 60068-2-30, EN 60068-2-78	EN 60068-2-30, EN 60068-2-78
Humidity	93 % r. h. at 40 °C	93 % r. h. at 40 °C
Condensation during operation	Not permitted	Short-term
Max. operating height above SL	2000 m	5000 m
EMC	EN 61000-4-2, EN 61000-4-3, EN 61000-4-4, EN 61000-4-5, EN 61000-4-6, EN 61000-6-2, EN 61000-6-4	EN 61000-4-2, EN 61000-4-3, EN 61000-4-4, EN 61000-4-5, EN 61000-4-6, EN 61000-6-2, EN 61000-6-4

Environmental data	312196	314196
Vibration		
in accordance with the standard	EN 60068-2-6	EN 60068-2-6
Frequency	10 - 150 Hz	10 - 150 Hz
Amplitude	0,35 mm	0,35 mm
Acceleration	1g	1g
Shock stress		
in accordance with the standard	EN 60068-2-27	EN 60068-2-27
Number of shocks	6	6
Acceleration	15g	15g
Duration	11 ms	11 ms
in accordance with the standard	EN 60068-2-27	EN 60068-2-27
Number of shocks	1000	1000
Acceleration	10g	10g
Duration	16 ms	16 ms
Airgap creepage		
in accordance with the standard	EN 60664-1	EN 60664-1
Overvoltage category	II	II
Pollution degree	2	2
Protection type		
in accordance with the standard	EN 60529	EN 60529
Housing	IP20	IP20
Terminals	IP20	IP20
Mounting area (e.g. control cabinet)	IP54	IP54
Mechanical data	312196	314196
Material		
Bottom	PC	PC
Front	PC	PC
Coding	PA	PA
Mounting type	plug-in	plug-in
Dimensions		
Height	76 mm	76 mm
Width	25,2 mm	25,2 mm
Depth	60,2 mm	60,2 mm
Weight	49 g	43 g
Mechanical coding		
Type	A	A
Colour	Light grey	Light grey

Where standards are undated, the 2005-04 latest editions shall apply.

9 Supplementary data

9.1 Permitted operating height

The values stated in the technical details apply to the use of the device in operating heights up to max. 2000 m above SL. When used at higher levels, restrictions of the ambient temperature (standard IEC 61131-2) must be taken into account.

Operating height above SL [m]	Multiplication factors for the devices' ambient temperature
0 ... 2000	1.0
3000	0.9
4000	0.8
5000	0.7

10 Order reference

10.1 Product

Product type	Features	Order no.
PSSu E PD1	Electronic module, base type	312196
PSSu E PD1-T	Electronic module, T-type	314196

10.2 Accessories

Base modules

Product type	Features	Order no.
PSSu BP 2/16 S	Base module without C-rail with screw terminals	312628
PSSu BP 2/16 S-T	Base module without C-rail with screw terminals, T-type	314628
PSSu BP 2/16 C	Base module without C-rail with cage clamp terminals	312629
PSSu BP 2/16 C-T	Base module without C-rail with cage clamp terminals, T-type	314629
PSSu BP-C 2/16 S	Base module with C-rail and screw terminals	312630
PSSu BP-C 2/16 S-T	Base module with C-rail and screw terminals, T-type	314630
PSSu BP-C 2/16 C	Base module with C-rail and cage clamp terminals	312631
PSSu BP-C 2/16 C-T	Base module with C-rail and cage clamp terminals, T-type	314631

► Support

Technical support is available from Pilz round the clock.

Americas

Brazil

+55 11 97569-2804

Canada

+1 888 315 7459

Mexico

+52 55 5572 1300

USA (toll-free)

+1 877-PILZUSA (745-9872)

Asia

China

+86 21 60880878-216

Japan

+81 45 471-2281

South Korea

+82 31 778 3300

Australia and Oceania

Australia

+61 3 95600621

New Zealand

+64 9 6345350

Europe

Austria

+43 1 7986263-0

Belgium, Luxembourg

+32 9 3217570

France

+33 3 88104003

Germany

+49 711 3409-444

Ireland

+353 21 4804983

Italy, Malta

+39 0362 1826711

Scandinavia

+45 74436332

Spain

+34 938497433

Switzerland

+41 62 88979-32

The Netherlands

+31 347 320477

Turkey

+90 216 5775552

United Kingdom

+44 1536 462203

You can reach our international hotline on:

+49 711 3409-222

support@pilz.com

Pilz develops environmentally-friendly products using ecological materials and energy-saving technologies. Offices and production facilities are ecologically designed, environmentally-aware and energy-saving. So Pilz offers sustainability, plus the security of using energy-efficient products and environmentally-friendly solutions.



We are represented internationally. Please refer to our homepage www.pilz.com for further details or contact our headquarters.

Headquarters: Pilz GmbH & Co. KG, Felix-Wankel-Straße 2, 73760 Ostfildern, Germany
Telephone: +49 711 3409-0, Telefax: +49 711 3409-133, E-Mail: info@pilz.com, Internet: www.pilz.com

PILZ
THE SPIRIT OF SAFETY

21453-EN-06, 2023-06 Printed in Germany
© Pilz GmbH & Co. KG, 2019

CECE®, CHRE®, CMSE®, InduraNET p®, Leansafe®, Master of Safety®, Master of Security®, PAS4000®, PAScall®, PASconfig®, Pilz®, PTT®, PLID®, PMCPirimo®, PMCPiritego®, PMCTendo®, PMD®, PMJ®, PNOZ®, PRBM®, PRGM®, PRCM®, PRCM®, PRTM®, PSEN®, PSEN®, PSS®, PVS®, SafetyBUS p®, SafetyEYE®, SafetyNET p®, THE SPIRIT OF SAFETY® are registered and protected trademarks of Pilz GmbH & Co. KG in some countries. We would point out that product features may vary from the details stated in this document, depending on the status at the time of publication and the scope of the equipment. We accept no responsibility for the validity, accuracy and entirety of the text and graphics presented in this information. Please contact our Technical Support if you have any questions.